



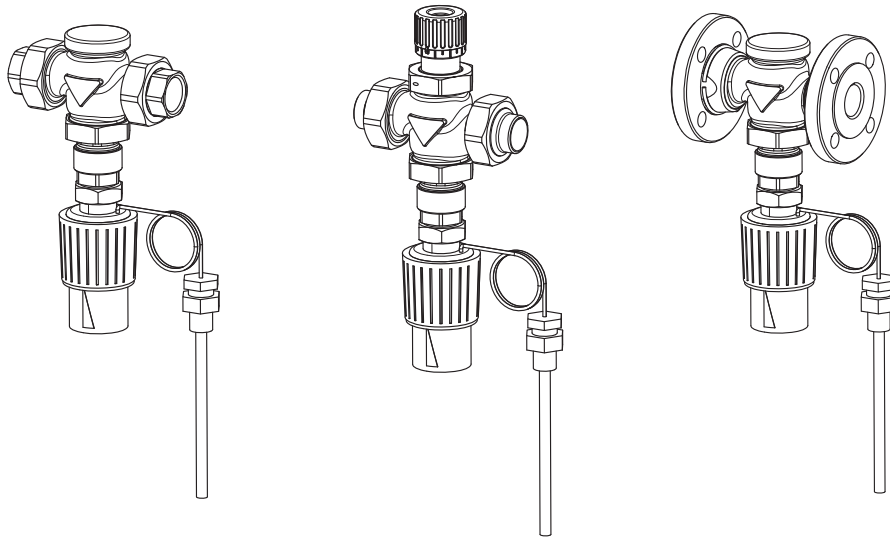
01 - 01.4
02.22.GB

SELF-ACTING TEMPERATURE REGULATORS

RT 122 BEE line



BEE line



Application

RT 122 valves are designed for use in district heating systems, for heat exchangers and other heating, air conditioning and industrial applications. Maximum pressure differential on the valve cannot exceed 1.6 MPa.

Process media

Valves are suitable for process media such as water, steam, air and other non-aggressive liquids and non-flammable gases in the temperature range from 2°C to 150°C (respectively up to 180°C). Working conditions with cavitation are not permissible.

Sealing surfaces of the trim are resistant to common sludge or media impurities. Yet it is recommended to pipe a strainer in front of the valve to ensure a reliable function and tightness in the case of abrasive particles presence in process medium.

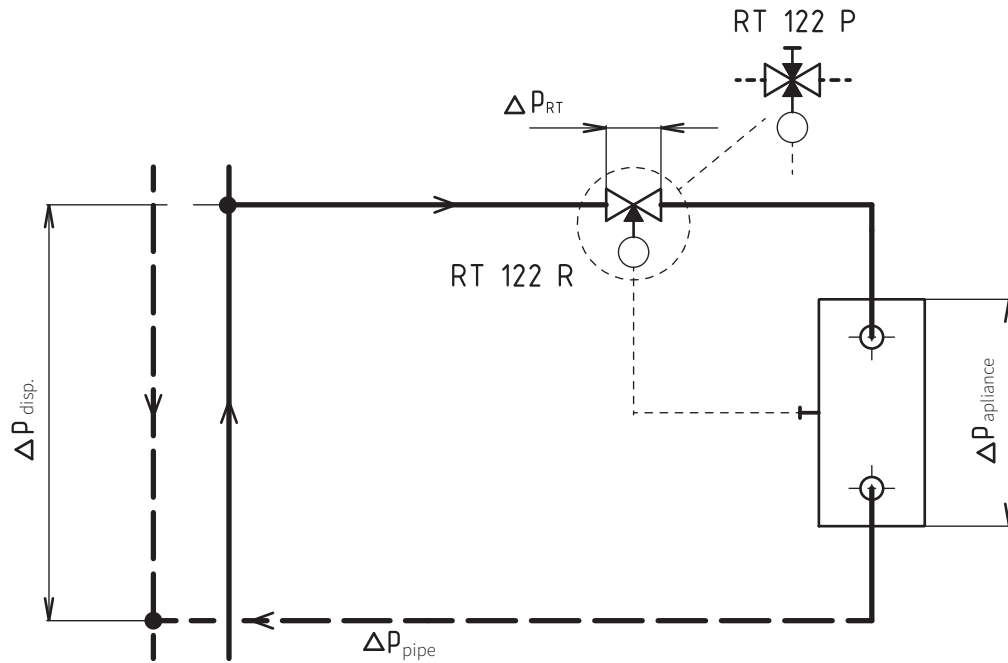
Thermostatic sensor is suitable for operation in liquid and gaseous media in the temperature range from 0°C to 150°C (according to the sensor type) with guaranteed resistance to exceeding set temperature by 50 K. Standard version is designated for use up to PN 25 pressure class, version with thermowell up to PN 40 pressure class.

Installation

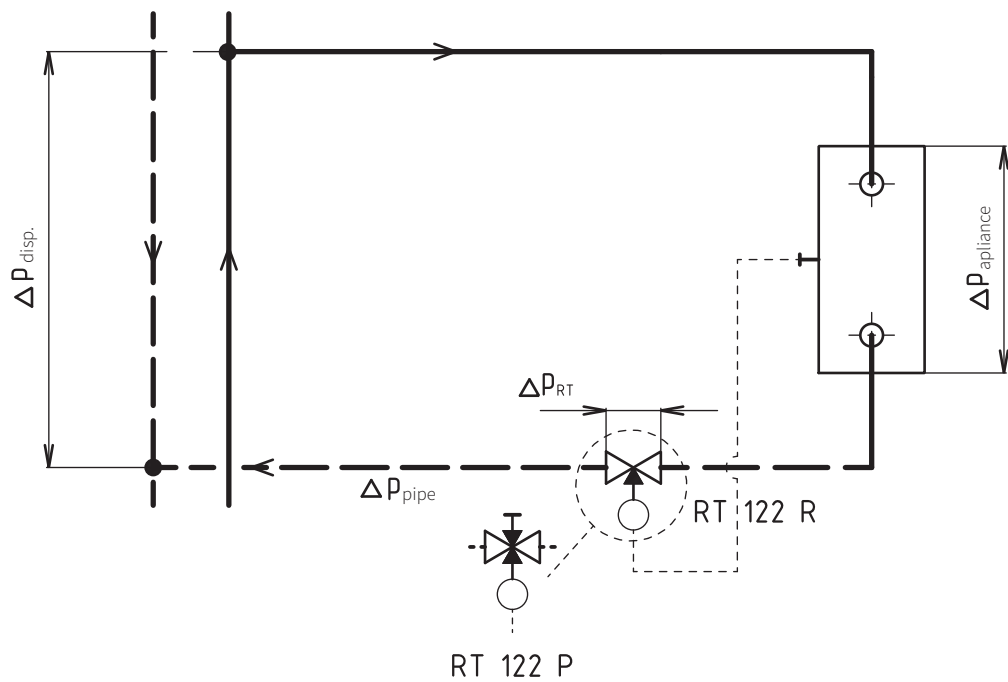
Basic operating position of regulator is when the valve body is above the thermostatic head that points downwards. Other positions are applicable for medium temperature below 110 °C. Temperature sensor position is not restricted. It is important for temperature sensor to have all its sensory surface in contact with controlled medium.

Typical scheme of wiring for temperature regulators

Scheme of typical regulation loop with temperature regulator RT 122 R, P at primary side



Scheme of typical regulation loop with temperature regulator RT 122 R, P at secondary side





RT 122 R RT 122 P

BEE line

**DN 15 - 50
PN 25**

Self-acting temperature regulator RT 122 R is designed to control flow through the appliance on the basis of medium set temperature. Valve is controlled by thermostatic head using an adsorption temperature sensor. It closes the valve upon increase of temperature.

Self-acting temperature regulator with flow restrictor RT 122 P restricts maximum flow through the appliance apart from its basic function of temperature control. This function is provided by a secondary plug adjusted for the required maximum flow by the operator. Control function is proportional without need for auxiliary power input. Valves provide fast and simple flow regulation even in high pressure differentials owing to the pressure-balanced plug.

Technical data		
Series	RT 122 R	RT 122 P
Version	Self-acting temperature regulator	Self-acting temperature regulator with flow restrictor
Nominal diameter range	DN 15 to 50	
Nominal pressure	PN 25	
Operating temperature range	2°C to 150°C, respectively up to 180°C	
Body material	Nodular cast iron EN-JS1030	
Plug material	Stainless steel 1.4021	
Seat material	Stainless steel 1.4021	
Stem material	Stainless steel 1.4305	
Sealing material	EPDM	
Material of weld unions	DN 15 to 32 ... 1.0038 / 11 375.1 DN 40 to 50 ... 1.0308 / 11 353.0	
Plug type	Contoured, pressure-balanced, with soft seat sealing	
Kvs values	0.63 to 32 m ³ / h	0.63 to 28.5 m ³ / h
Leakage rate	Class IV. - S1 acc. to ČSN EN 1349 (< 0.0005 % Kvs)	
Connection	Externally threaded coupling + screw joints Flanges with raised faces Externally threaded coupling + weld unions	

Thermostatic head - type 2430 K	
Sensor material	Copper
Thermowell material *)	Copper, stainless steel 1.4310
Pressure class of thermostatic head **)	Sensor (without thermowell) ... PN 25 Sensor with thermowell ... PN 40
Sensor operating temperature range	0°C to 150°C
Environmental temperature	-20°C to 80°C
Range of adjust. values on therm. head	0 to 35°C ; 25 to 70°C ; 40 to 100°C ; 50 to 120°C ; 70 to 150°C

*) ... Thermowell is used in applications with nominal pressure in the location of temperature sensor higher than PN 25

***) ... Relative to nominal pressure in the location of temperature sensor

Note: It is necessary to combine same kind of materials of sensor (or thermowell) and of connected piping. For example it is not possible to use non-ferrous sensor material in combination with stainless steel heat exchanger. In this case it would be necessary to use stainless steel sensor.

Specification code for ordering of valves RT 122

		XX	XXX	X	XXXX	XX	/	XXX	-	XX	/	X
1. Valve	Self-acting temperature regulator	RT										
2. Series	Pressure-balanced		122									
3. Function	Temperature regulator											
	Temperature regulator with flow restrictor											
4. Version	Without thermowell (PN 25)											1
	With thermowell, copper (PN 40)											2
	With thermowell, CrNiMo steel (PN 40)											3
5. Set temperature range	0 - 35 °C											1
	25 - 70 °C											2
	40 - 100 °C											3
	50 - 120 °C											4
	70 - 150 °C											5
	Different range after agreement											9
6. Capillary tube with temperature sensor	2 m - G1/2											1
	5 m - G1/2											2
7. Kvs	Column header according to Kvs table											X
8. Nominal pressure	PN 25											25
9. Max. operating temp.	150 °C											150
	180 °C											180
10. Nominal size	DN 15 to 50											XX
11. Connection	Externally threaded coupling + screw joints											T
	Flanges PN 25 with raised faces											F
	Externally threaded coupling + weld unions											W

Note: Dimensions of PN 25, PN 16 and PN 10 flanges are identical in the range from DN 15 to 50

Ordering example: **RT 122 R 1411 25/150-25/W**

Kvs values and pressure differentials table

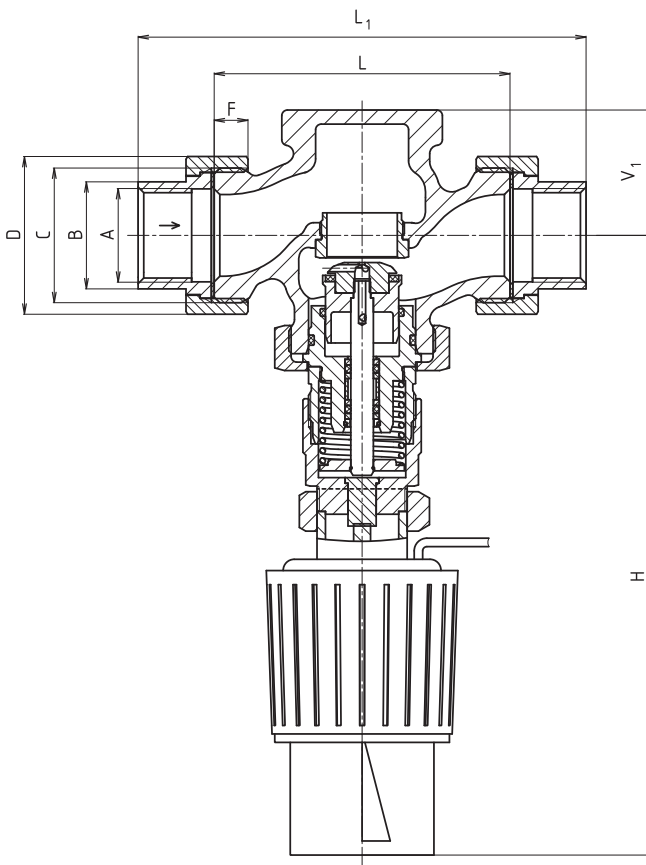
DN	Kvs [m ³ /h]					Δp_{set} [MPa]
	1	2	3	4	5	
15	5	2.5	1.6	1.0	0.63	2.5
20	8	---	---	---	---	2.5
25	10	---	---	---	---	2.5
32	15	---	---	---	---	2.5
40	21	---	---	---	---	2.5
50	32 / 28.5 *)	---	---	---	---	2.5

*) Kvs value for self-acting temperature regulator with flow restrictor RT 122 P

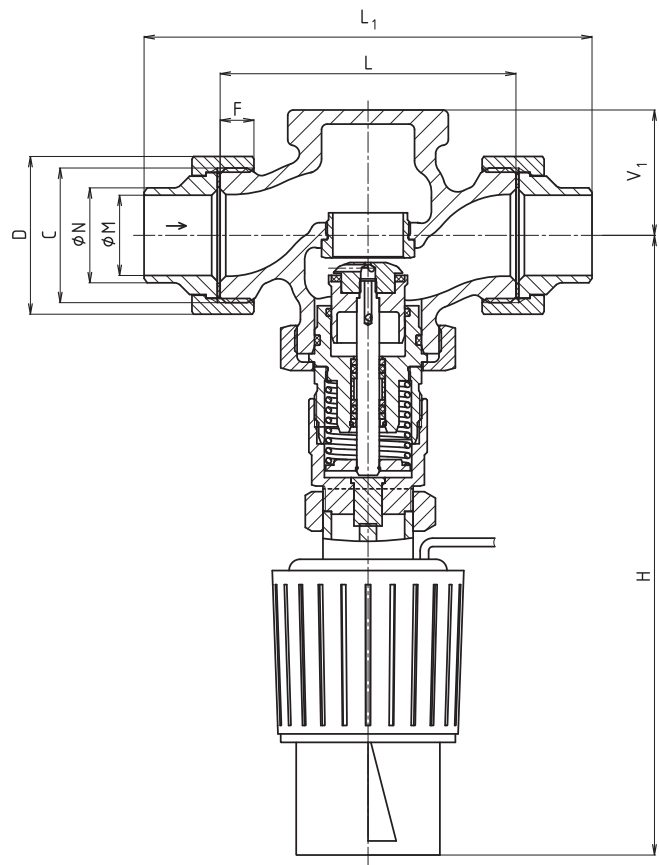
Dimensions and weights of valves RT 122 R../T with screw joints,
RT 122 R../W with weld unions

DN	L [mm]	L ₁ [mm]	V ₁ [mm]	H [mm]	A	B [mm]	C	D [mm]	ØM [mm]	ØN [mm]	F [mm]	m [kg]
15	100	145	44.5	220	Rp 1/2	25	G 1	41	16.1	21.3	9.5	2.7
20	100	148	44.5	220	Rp 3/4	32	G 1 1/4	51	21.7	26.9	11.5	2.7
25	105	159	44.5	220	Rp 1	38	G 1 1/2	56	28.5	33.7	12	2.9
32	130	192	63	240	Rp 1 1/4	47	G2	71	37.2	42.4	12.5	4
40	140	206	63	240	Rp 1 1/2	53	G 2 1/4	76	43.1	48.3	15.5	5.2
50	160	232	63	240	Rp 2	66	G 2 3/4	91	54.5	60.3	16.5	6.8

Valves RT 122 R../T
with screw joints



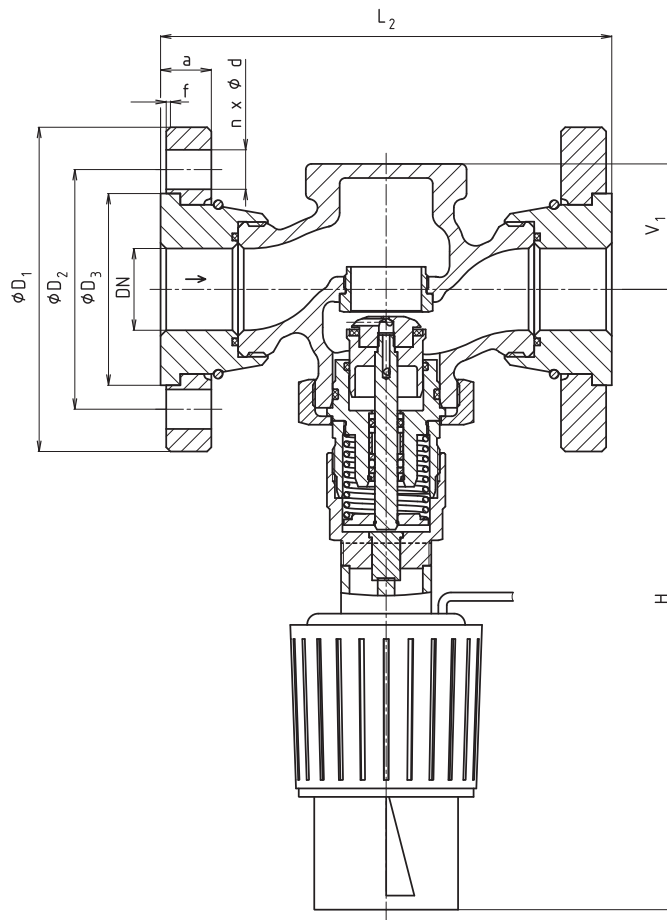
Valves RT 122 R../W
with weld unions



Dimensions and weights of valves RT 122 R../F with flanges

DN	L ₂ [mm]	V ₁ [mm]	H [mm]	ØD ₁ [mm]	ØD ₂ [mm]	ØD ₃ [mm]	a [mm]	f [mm]	n	Ød [mm]	m [kg]
15	130	44.5	220	95	65	45	16	2	4	14	3.9
20	150	44.5	220	105	75	58	16	2	4	14	4.5
25	160	44.5	220	115	85	68	18	2	4	14	5.3
32	180	63	240	140	100	78	18	2	4	18	7.4
40	200	63	240	150	110	88	19	3	4	18	8.8
50	230	63	240	165	125	102	19	3	4	18	11

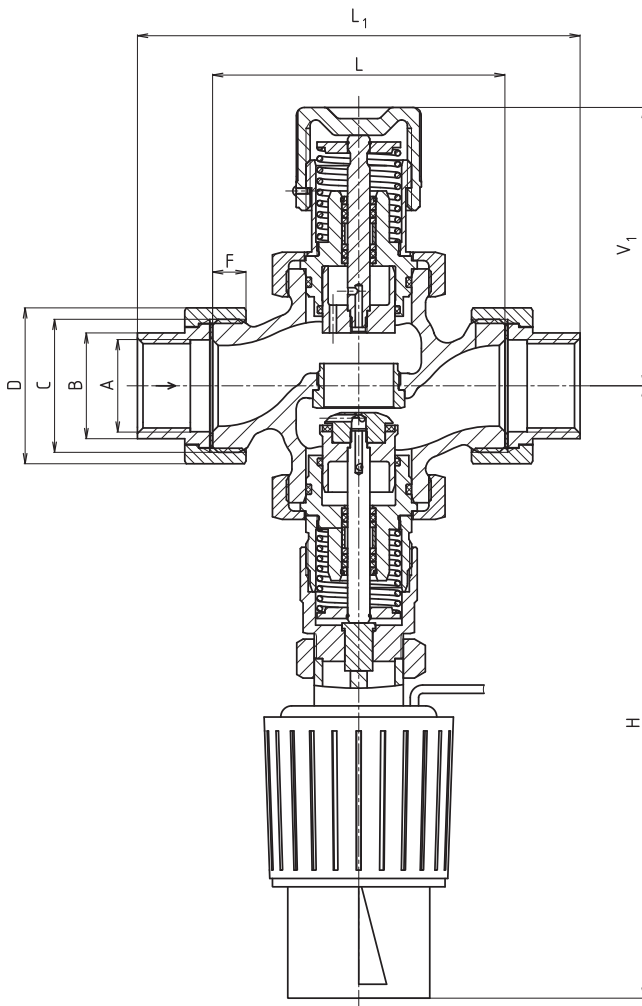
**Valves RT 122 R../F
with raised face flanges**



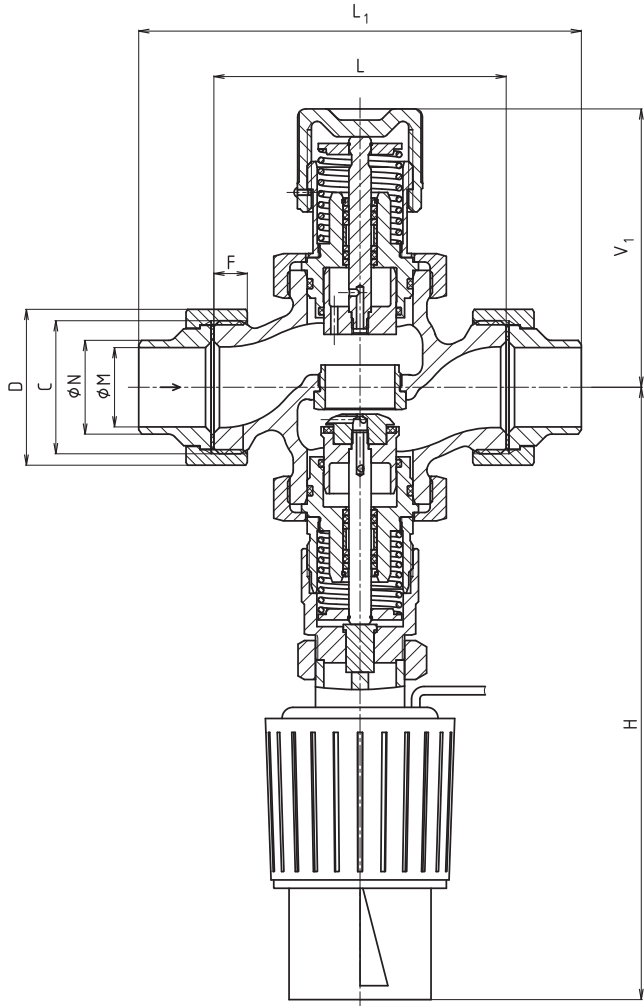
**Dimensions and weights of valves RT 122 P./T with screw joints,
RT 122 P./W with weld unions**

DN	L [mm]	L ₁ [mm]	V ₁ [mm]	H [mm]	A	B [mm]	C	D [mm]	ØM [mm]	ØN [mm]	F [mm]	m [kg]
15	100	145	100	220	Rp 1/2	25	G 1	41	16.1	21.3	9.5	3.1
20	100	148	100	220	Rp 3/4	32	G 1 1/4	51	21.7	26.9	11.5	3.1
25	105	159	100	220	Rp 1	38	G 1 1/2	56	28.5	33.7	12	3.3
32	130	192	119	240	Rp 1 1/4	47	G2	71	37.2	42.4	12.5	4.5
40	140	206	119	240	Rp 1 1/2	53	G 2 1/4	76	43.1	48.3	15.5	6
50	160	232	119	240	Rp 2	66	G 2 3/4	91	54.5	60.3	16.5	7.9

**Valves RT 122 P./T
with screw joints**



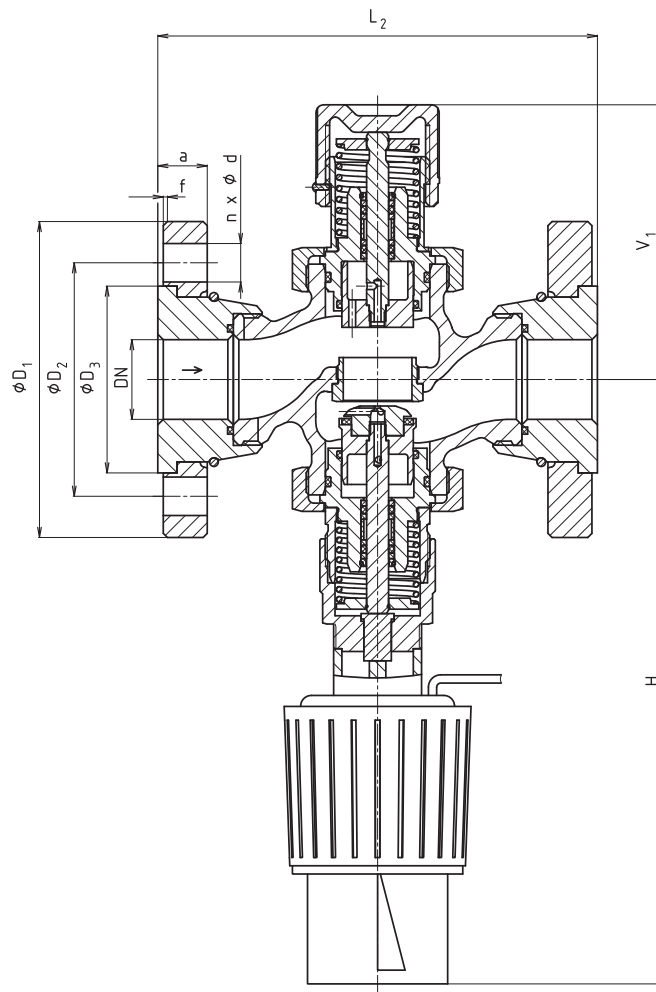
**Valves RT 122 P./W
with weld unions**



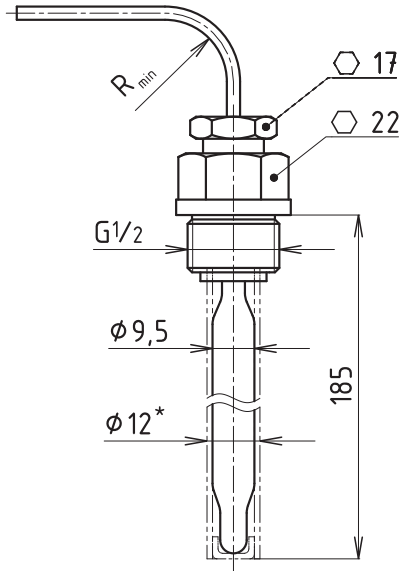
Dimensions and weights of valves RT 122 P./F with flanges

DN	L ₂ [mm]	V ₁ [mm]	H [mm]	ØD ₁ [mm]	ØD ₂ [mm]	ØD ₃ [mm]	a [mm]	f [mm]	n	Ød [mm]	m [kg]
15	130	100	220	95	65	45	16	2	4	14	4.3
20	150	100	220	105	75	58	16	2	4	14	4.9
25	160	100	220	115	85	68	18	2	4	14	5.7
32	180	119	240	140	100	78	18	2	4	18	7.9
40	200	119	240	150	110	88	19	3	4	18	9.6
50	230	119	240	165	125	102	19	3	4	18	12.1

**Valves RT 122 P./F
with raised face flanges**



Temperature sensor dimensions



R_{min} ... smallest allowed bending radius - 50 mm
* ... configuration with thermowell (PN 40)

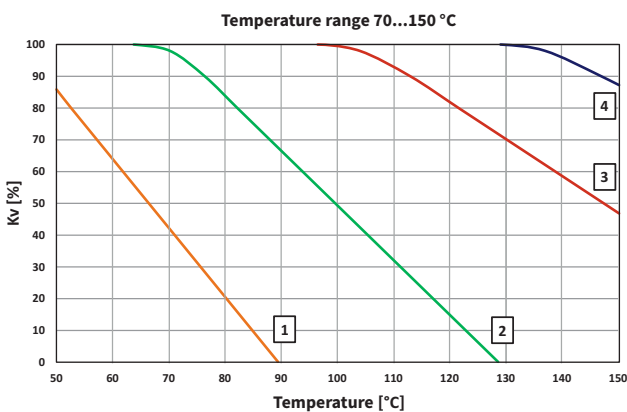
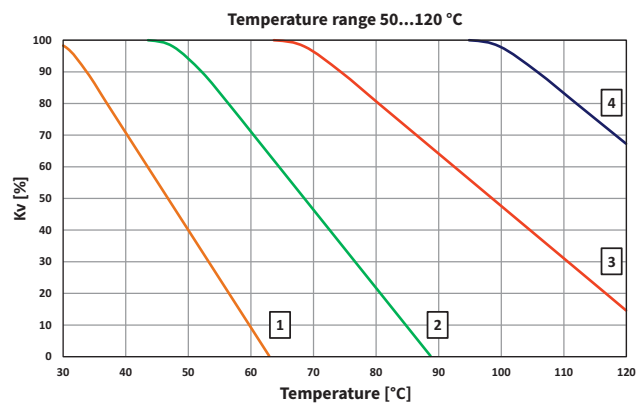
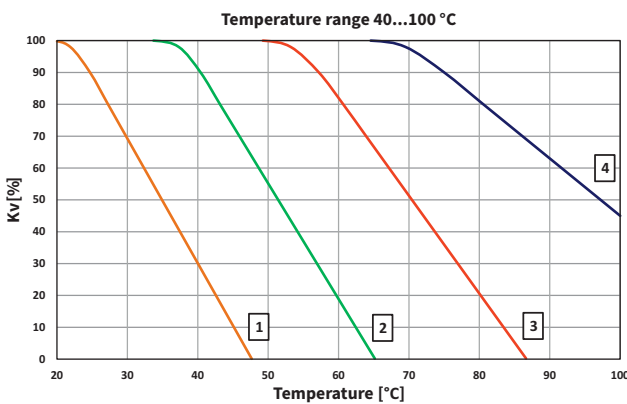
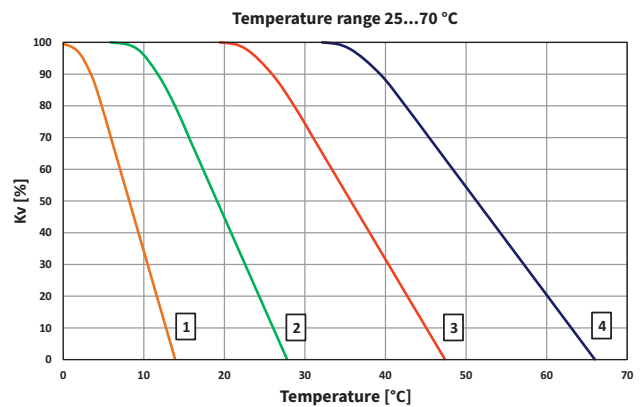
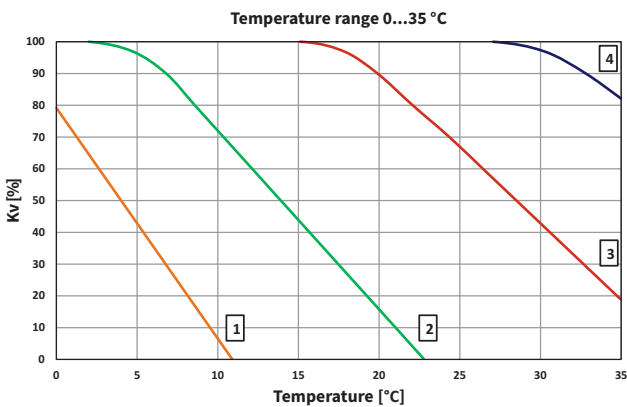
Environment temperature cannot reach out of permissible range (-20°C to 80°C) and should fluctuate as little as possible.

Adjustment diagrams

Diagrams can be used as guide to find first approximate values of thermostatic head setting.

Temperature setting on thermostatic head is performed by turning set point adjuster. Set temperature is lowered by turning clockwise and increased by turning counterclockwise.

Temperature adjustment diagrams for RT 122 R; P (valve closes upon increase of temperature) DN 15 - 25



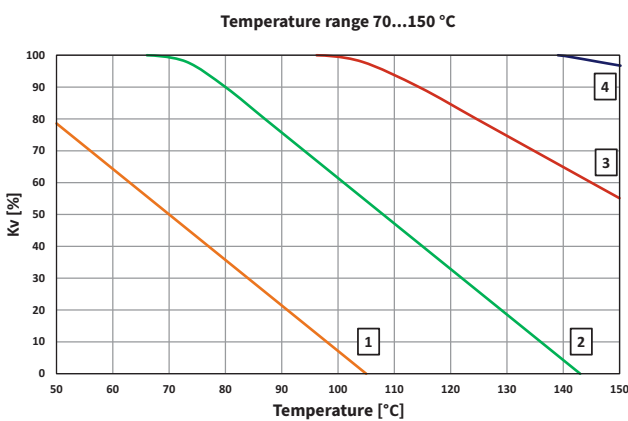
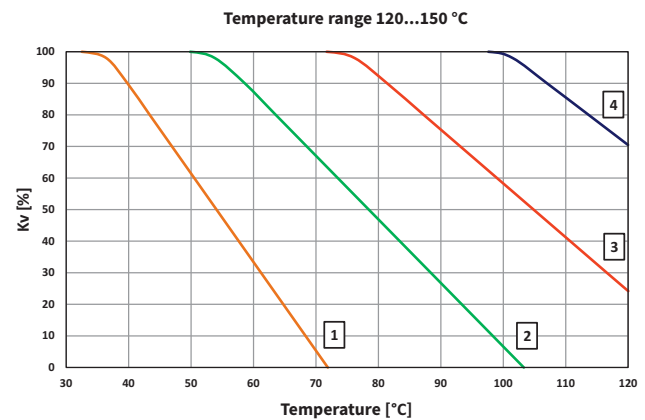
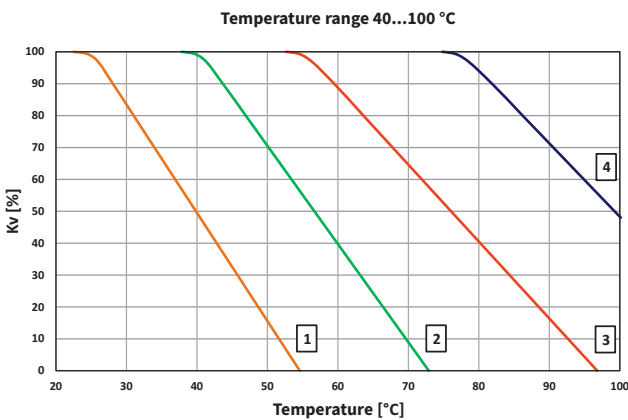
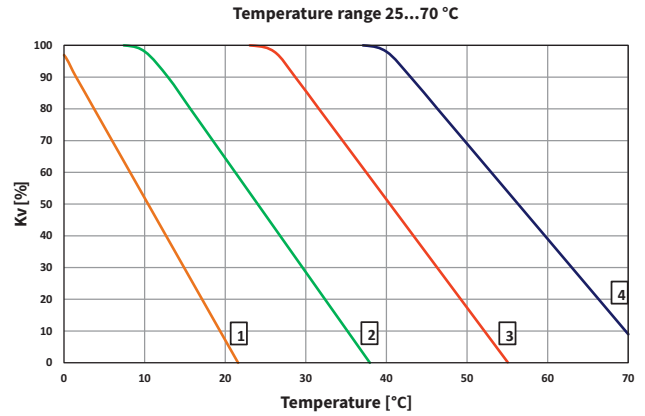
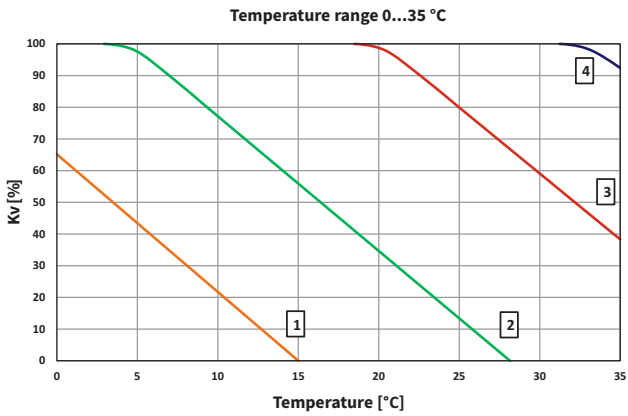
1..4 Thermostatic head setting

Curves display dependence of regulator K_v value on medium temperature and thermostatic head setting.

$$K_v (\%) = \frac{K_v \text{ required}}{K_{vs}} * 100$$

K_{vs} nominal flow coefficient of temperature regulator

Temperature adjustment diagrams for RT 122 R; P (valve closes upon increase of temperature) DN 32 - 50



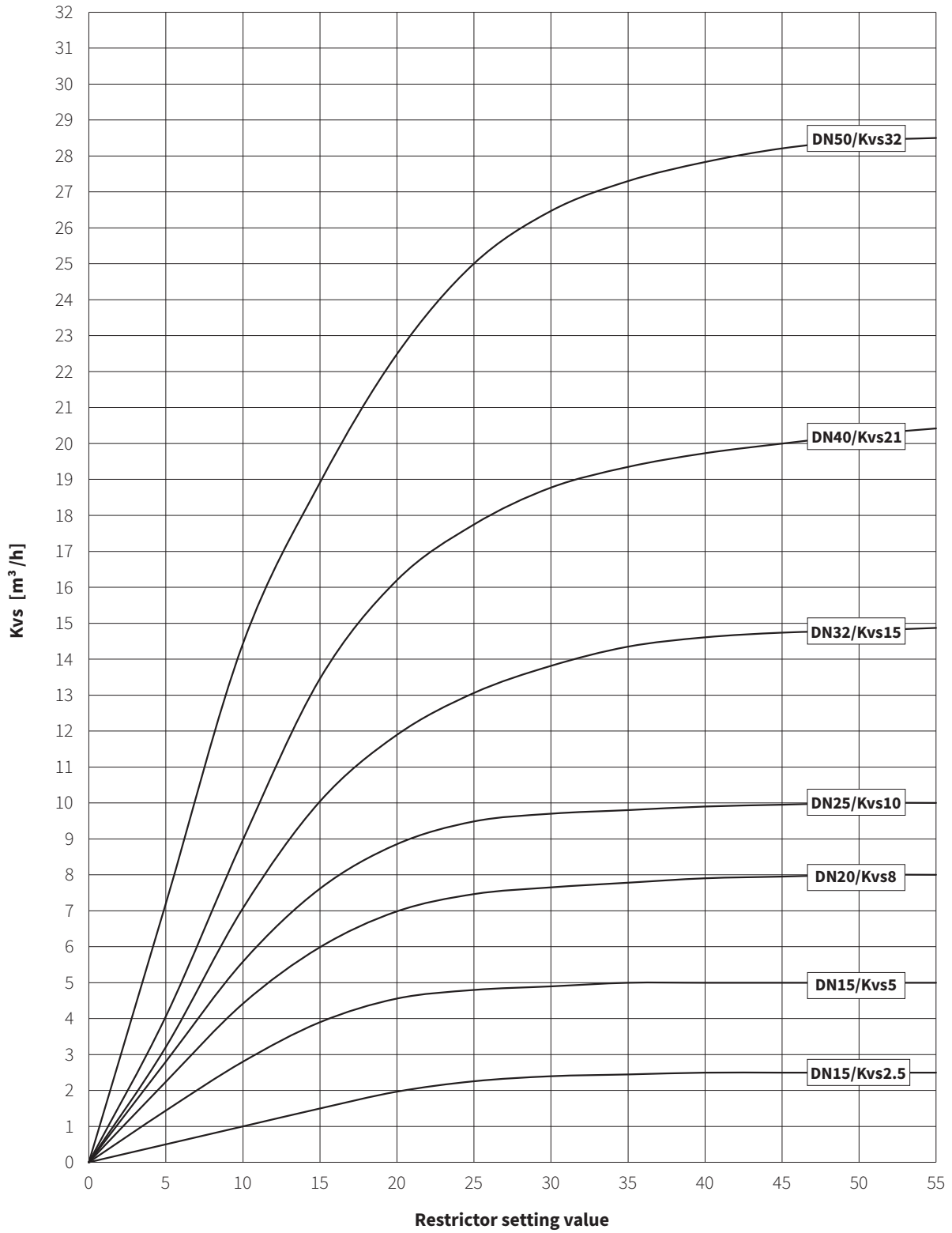
1..4 Thermostatic head setting

Curves display dependence of regulator Kv value on medium temperature and thermostatic head setting.

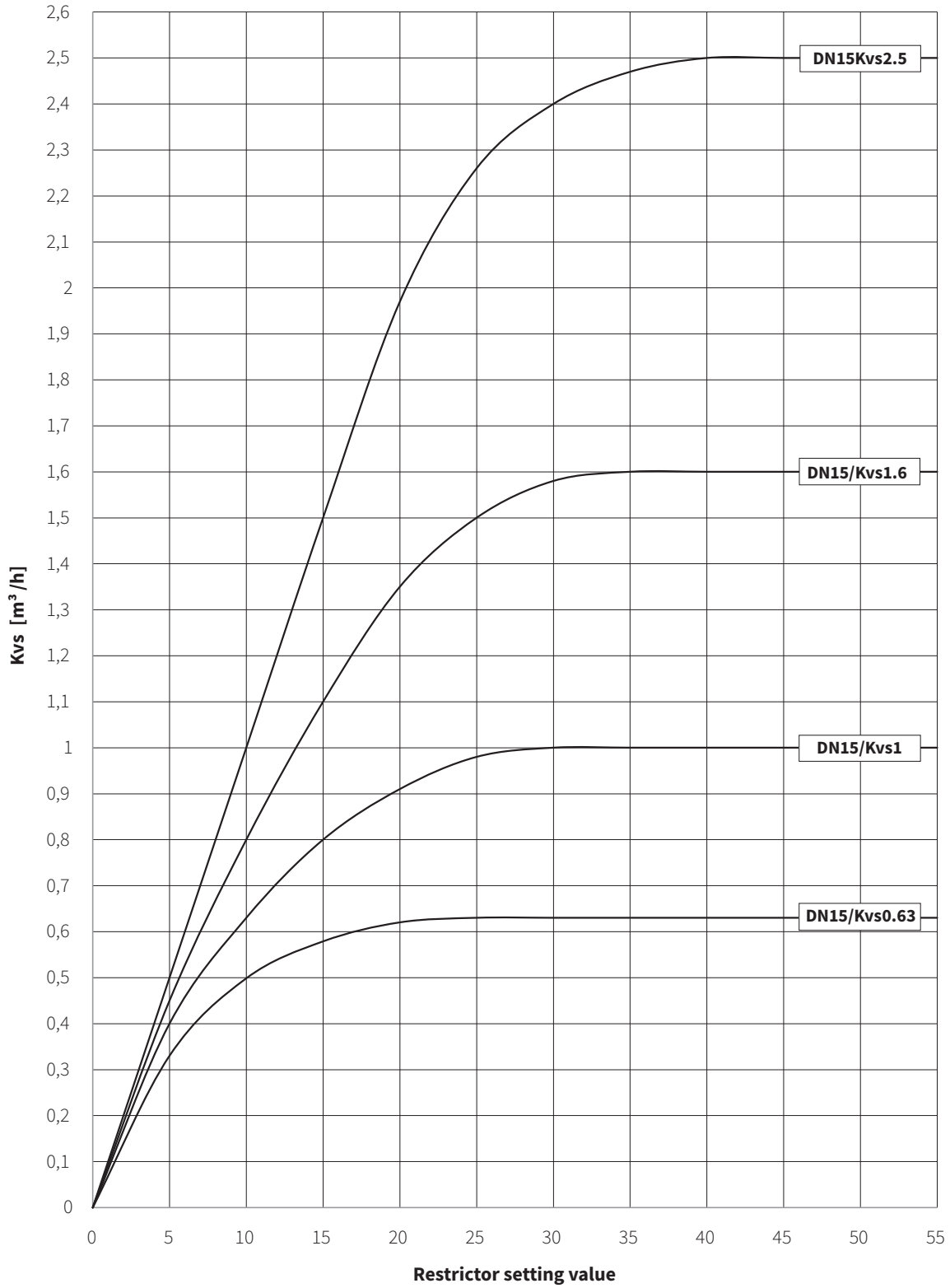
$$K_v (\%) = \frac{K_v \text{ required}}{K_{vs}} * 100$$

K_{vs} nominal flow coefficient of temperature regulator

RT 122 P - flow restrictor adjustment diagram



RT 122 P - flow restrictor adjustment diagram



Maximum permissible pressure values
according to ČSN EN 1092-2 [MPa]

Material	PN	Temperature [°C]		
		120	150	180
Nodular cast iron EN-JS1030	25	2.50	2.43	2.38



LDM, spol. s r.o.
Litomyšlská 1378
560 02 Česká Třebová
Czech Republic

tel.: +420 465 502 511
fax: +420 465 533 101
e-mail: sale@ldm.cz

LDM, spol. s r.o.
Office Prague
Podolská 50
147 01 Praha 4
Czech Republic

tel.: +420 241 087 360
fax: +420 241 087 192
e-mail: sale@ldm.cz

LDM, spol. s r.o.
Office Ústí nad Labem
Ladova 2548/38
400 11 Ústí nad Labem
- Severní Terasa
Czech Republic

tel.: +420 602 708 257
e-mail: tomas.kriz@ldm.cz

LDM servis, spol. s r.o.
Litomyšlská 1378
560 02 Česká Třebová
Czech Republic

tel.: +420 465 502 411-3
fax: +420 465 531 010
e-mail: servis@ldm.cz

LDM Bratislava s.r.o.
Mierová 151
821 05 Bratislava
Slovakia

tel.: +421 2 43415027-8
fax: +421 2 43415029
e-mail: ldm@ldm.sk

LDM, Polska Sp. z o.o.
ul. Bednorza 1
40 384 Katowice
Poland

tel.: +48 32 730 56 33
fax: +48 32 730 52 33
mobile: +48 601 354 999
e-mail: ldmpolska@ldm.cz

LDM Armaturen GmbH
Wupperweg 21
D-51789 Lindlar
Germany

tel.: +49 2266 440333
fax: +49 2266 440372
mobile: +49 177 2960469
e-mail: ldmmarmaturen@ldmvalves.com

OOO "LDM Promarmatura"
Jubilejnyj prospekt,
dom.6a, of. 601
141400 Khimki Moscow Region
Russia

tel.: +7 4957772238
fax: +7 4956662212
mobile: +7 9032254333
e-mail: inforus@ldmvalves.com

TOO "LDM"
Shakirova 33/1
kab. 103
100012 Karaganda
Kazakhstan

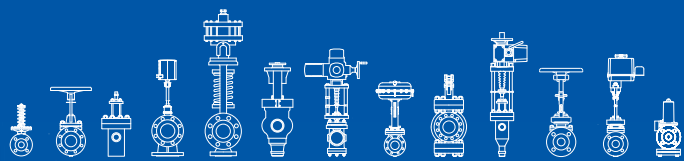
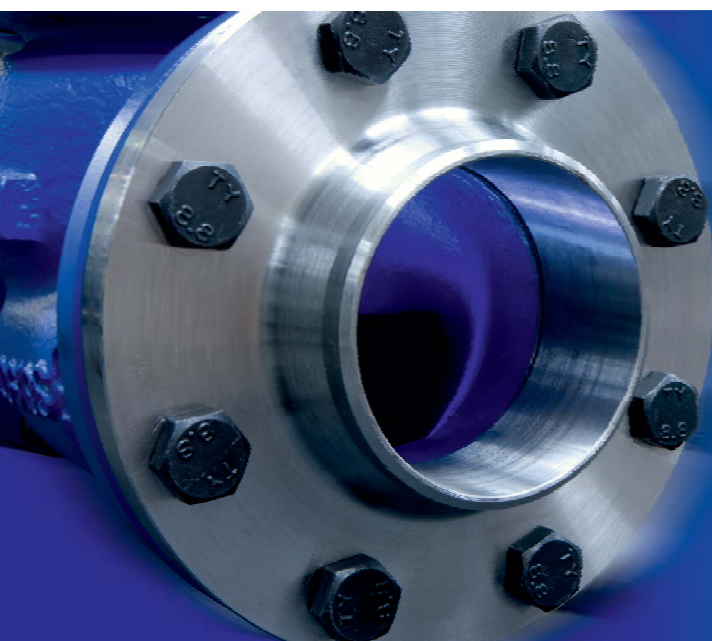
tel.: +7 7212 566 936
fax: +7 7212 566 936
mobile: +7 701 738 36 79
e-mail: sale@ldm.kz

LDM - Bulgaria - OOD
z. k. Mladost 1
bl. 42, floor 12, app. 57
1784 Sofia
Bulgaria

tel.: +359 2 9746311
fax: +359 2 9746311
mobile: +359 888 925 766
e-mail: ldm.bg@ldmvalves.com

www.ldmvalves.com

LDM reserves the right to modify or improve the designs or specifications of such products at any time without notice.



POWER THROUGH IDEAS