



01 - 10.2
11.21.GB

CONTROL AND
SHUT-OFF VALVES
IN SEISMIC VERSION

200 line
acc. to ANSI/ASME



200 line

CV / SV 220 (Ex)
CV / SV 230 (Ex)

control or shut-off valve

CV 222 (Ex)
CV 232 (Ex)

control valve with
pressure-balanced plug

Control valves **CV / SV 200 SP (Ex)** are designed for regulation and shut-off of process liquid flow, for which seismic resistance of the device is required. The valves meet the conditions of **seismic resistance** in the sense of maintaining mechanical integrity and functionality after a seismic event with a response spectrum of up to 30 m.s^{-2} in all directions, in the band 0 to 33 Hz. Thus, they meet the requirements of **seismic classification 1b of fittings for nuclear energy according to OTT 87/91** and in non-nuclear applications meet the conditions for use in earthquake-prone areas with a maximum intensity of up to 9 degrees of the international scale EMS-98, or MSK-64 (9 bal).

Vesion Ex meets demands of II 1/2G IIC T6...T1 Ga/Gb acc. to ČSN EN ISO 80079-36 (9/2016) and ČSN EN 1127-1 ed.2 (1/2012). Flow characteristics, Kvs coefficients and leakage comply with international standards.

The maximal permissible operating pressures in behaviour with types of material and temperature are specified in the table on page 23 of this catalogue.

Control

hand wheel
seismically resistant electromechanical actuators **Auma**, or other manufacturers

Application

CV / SV 2xx SP - heating, ventilation, power generation and chemical processing industries
CV / SV 2xx SPEx - gas and chemical industries

Process media

CV / SV 2xx - liquids, gases and vapours without abrasive particles
e.g. water, steam, air and other media compatible with material of the valve inner parts
CV / SV 2xx Ex - technical and fuel gases and inflammable liquids

To ensure a reliable regulation, the producers recommends to pipe a strainer in front of the valve into pipeline or ensure in any other way that process medium does not contain abrasive particles or impurities

Installation

The valve can be installed in any position except position when the actuator is under the valve body. The valve is to be piped the way so that the direction of medium flow will coincide with the arrows on the body.

It is necessary to protect the actuator from excessive heat from the pipeline at medium **temperatures** above **150 °C (300 °F)**, e.g. by appropriately insulating the pipeline and valve and tilting the actuator from the vertical axis.

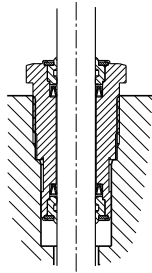
When the valve is used as diverting, process medium flows through common valve port AB and split streams leave through valve ports A and B). Detailed informations are given in the instruction for installation and service.

Packings

DRSpack® (PTFE)

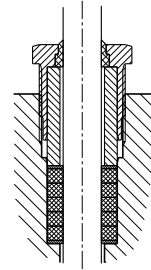
DRSpack® (Direct Radial Sealing Pack) is a packing with high tightness at both low and high operating pressure values.

It is the most used type of packing suitable for temperatures ranging from 0 °C to 260 °C. The pH range is from 0 to 14. The packing enables using of actuators with low linear force. The design enables an easy change of the whole packing. The average service life of DRSpack® is more than 500 000 cycles.



Graphite

This type of packing can be used for media **with temperature up to 550 °C (1020 °F)** and pH range: 0 to 14. Packing can be "sealed up" either by screwing the packing screw in or adding another sealing ring. In regard of intensive frictional forces, graphite packing is suitable for actuators with a sufficient linear force.



Principles for plug type selection

V-ported plugs should not be used in supercritical differential pressures with inlet pressure $p \geq 0,4$ MPa and for regulation of saturated steam. In these cases we recommend to use a perforated plug. The perforated plug should be also used always when cavitation may occur due to a high differential pressure value or valve ports erosion caused by high speed of process medium flow. If the parabolic plug is used (because of small Kvs) for supercritical differential pressures, it is necessary to close both plug and seat with a hard metal overlay, i.e. stellite trim.

Rangeability

Rangeability is the ratio of the biggest value of flow coefficient to the smallest value. In fact it is the ratio (under the same conditions) of highest regulated flow rate value to its lowest value. The lowest or minimal regulated flow rate is always higher than 0.



CV/SV 2x0 SP

Control
and shut-off valves
in seismic version

NPS 1/2" - 10"
Class 150

Technical data		
Series	CV / SV 220 SP (Ex)	CV / SV 230 SP (Ex)
Type of valve	Two-way, single-seated, control (shut-off) valve	
Nominal pressure	NPS 1/2" to 10"	
Body material	Class 150	
Body material	Cast steel A216 WCB, A217 WC6	Stainless steel A351 CF8M
Seat material: NPS 1/2"-2"	1.4028	1.4571
NPS 2 1/2"-10"	1.4027	1.4581
Plug material: NPS 1/2"-2 1/2"	1.4021	1.4571
NPS 3"-10"	1.4027	1.4581
Stem material	1.4923	1.4980
Operating temperature range	-10 to 550 °C (14 to 1020 °F)- (request for negative temperature need to be specified in order)	
Face to face dimensions	acc. to ISA-75.08.01-2002 /R2007) for version with flanges	
Connection flanges	Acc. to ASME B16.5-2013	
Flange faces	RF (Raised Face), LFF (Large Female Face), SFF (Small Female Face), LGF (Large Groove Face), SGF (Small Groove Face)	
Type of plug	V-ported, contoured, perforated	
Flow characteristic	Linear, equal-percentage, LDMspline®, parabolic, on - off	
Kvs value	0,01 to 800 m ³ /h (0,012 to 950 US gallon/min)	
Leakage rate	Class III. acc. to ANSI/FCI 70-2-2013 (<0,1% Cv) for c. valves with metal-metal seat sealing Class IV. acc. to ANSI/FCI 70-2-2013 (<0.01% Cv) for c. valves with metal-PTFE seat sealing Class IV. acc. to ANSI/FCI 70-2-2013 (<0.01% Cv) for shut-off valve	
Leakage rate for Ex version	CV 2xx Class IV. acc. to ANSI/FCI 70-2-2013 (<0.01% Cv); SV 2xx Rate C acc. to ISO 5208:2008	
Rangeability r	50 : 1	
Packing	DRSpack* (PTFE) t _{max} = 260°C (500°F), exp. graphite t _{max} = 550°C (1020°F), bellows (NPS 1/2" - 6") t _{max} = 550°C (1020°F)	
Seismic resistance	0 to 33 Hz, 30 m.s ⁻²	

Kvs values and differential pressures Δp_{max} [Mpa], [psi] of valves NPS 1/2" - 10" with V-ported plugs, contoured plugs (flow direction below plug) for electromechanical actuators

Δp_{max} value is the valve max. differential pressure when open - close function is always guaranteed. In regard of service life of seat and plug, it is recommended so that permanent differential pressure would not exceed 1.6 MPa, 232 psi. Otherwise it is suitable to use perforated plug, or sealing surfaces of seat and plug with a hard metal overlay.

For further information on actuating, see actuators' catalogue sheets			Actuating (actuator)										Auma	Auma	Auma	Hand wheel		
			Marking in valve specification No.										EA...	EA...	EA...	Rxx		
			Linear force										5 kN	7.5 kN	10 kN			
NPS	H[mm]	Ds[mm]	Kvs [m ³ /h] Cv [US gallon/min]										Δp_{max} [MPa]	Δp_{max} [MPa]	Δp_{max} [MPa]	Δp_{max} [MPa]		
			1	2	3	4	5	6	7	8	9		packing	packing	packing	packing		
													graph.PTFE	graph.PTFE	graph.PTFE	graph.PTFE		
1/2"	16	3	---	---	---	---	---	---	---	0.16 ³⁾	0.1...0.01 ³⁾		2	2	2	2	2	2
		6	---	---	---	---	---	---	0.25 ¹⁾	---	---	---	2	2	2	2	2	2
		8	---	---	---	1.0 ¹⁾	0.63 ¹⁾	0.4 ¹⁾	---	---	---	---	2	2	2	2	2	2
		12	---	2.5 ¹⁾	1.6 ¹⁾	---	---	---	---	---	---	---	2	2	2	2	2	2
		15	4.0 ¹⁾	4.62 ¹⁾	---	---	---	---	---	---	---	---	2	2	2	2	2	2
3/4"	16	3	---	---	---	---	---	---	---	---	0.16...0.01 ³⁾		2	2	2	2	2	2
		6	---	---	---	---	---	---	0.25 ¹⁾	---	---	---	2	2	2	2	2	2
		8	---	---	---	1.0 ¹⁾	0.63 ¹⁾	0.4 ¹⁾	---	---	---	---	2	2	2	2	2	2
		12	---	---	2.5 ¹⁾	1.6 ¹⁾	---	---	---	---	---	---	2	2	2	2	2	2
		15	---	4.0 ¹⁾	4.62 ¹⁾	---	---	---	---	---	---	---	2	2	2	2	2	2
1"	16	20	6.3 ²⁾	7.28 ²⁾	---	---	---	---	---	---	---	---	2	2	2	2	2	2
		3	---	---	---	---	---	---	---	---	0.16...0.01 ³⁾		2	2	2	2	2	2
		6	---	---	---	---	---	---	---	0.25 ¹⁾	---	---	2	2	2	2	2	2
		8	---	---	---	1.0 ¹⁾	0.63 ¹⁾	0.4 ¹⁾	---	---	---	---	2	2	2	2	2	2
		12	---	---	---	2.5 ¹⁾	1.6 ¹⁾	---	---	---	---	---	2	2	2	2	2	2
		15	---	---	4.0 ¹⁾	4.62 ¹⁾	---	---	---	---	---	---	2	2	2	2	2	2
		20	---	6.3 ²⁾	7.28 ²⁾	---	---	---	---	---	---	---	2	2	2	2	2	2
25	10	11.6	7.28	4.62	---	---	---	---	---	---	---	2	2	2	2	2		

the table continues on next page

1) shaped plug

2) shaped plug with linear characteristic, parabolic plug with equal-percentage, LDMSpline® or parabolic characteristic

3) valve with micro-throttling trim. Version with Kvs = 0.16; 0.1; 0.063; 0.04; 0.025; 0.016; 0.01

4) V-ported plug with linear characteristic only

Max. differential pressures specified in table apply to PTFE and graphite packing. Δp for bellows must be consulted with the producer

For further information on actuating, see actuators' catalogue sheets			Actuating (actuator)					Auma		Auma		Auma		Auma		Auma		Hand wheel		
			Marking in valve spec. No.					EA...		EA...		EA...		EA...		EA...		Rxx		
			Linear force					7.5 kN		10 kN		15 kN		20 kN		32 kN				
			Kvs [m³/h] Cv [US gallon/min]					Δp_{max} [MPa] [psi] packing graph.PTFE		Δp_{max} [MPa] [psi] packing graph.PTFE		Δp_{max} [MPa] [psi] packing graph.PTFE		Δp_{max} [MPa] [psi] packing graph.PTFE		Δp_{max} [MPa] [psi] packing graph.PTFE		Δp_{max} [MPa] [psi] packing graph.PTFE		
NPS	H[mm]	Ds[mm]	1	2	3	4	5													
2"	20	50	40	25	16	10	6.3 ⁽⁴⁾	1.95	2	2	2	2	---	---	---	---	2	2		
		46.2	28.9	18.5	11.6	7.28⁽⁴⁾	282	290	290	290	290	290					290	290		
2½"	20	65	40	25	16	10	6.3 ⁽⁴⁾	1.15	1.7	1.8	2	2	---	---	---	---	1.8	2		
		46.2	28.9	18.5	11.6	7.28⁽⁴⁾	167	247	261	290	290	290					261	290		
3"	40	80	100	63	40	25	16	0.65	1.1	1.1	1.55	2	2	2	2	---	---	2	2	
		116	72.8	46.2	28.9	18.5	94	159	159	224	290	290	290	290			290	290		
4"		100	160	100	63	40	25	0.4	0.69	0.69	0.98	1.27	1.56	1.85	2	---	---	1.15	1.68	
		185	116	72.8	46.2	28.9	57	100	100	142	184	227	296	290			167	244		
5"		125	250	160	100	63	40	0.24	0.43	0.43	0.62	0.8	0.99	1.18	1.37	---	---	1.69	1.07	
	289	185	116	72.8	46.2	34	62	62	89	117	144	172	199			245	155			
6"	80	150	360	250	160	100	63	0.15	0.29	0.29	0.42	0.55	0.68	0.82	0.95	---	---	0.5	0.74	
		416	289	185	116	72.8	22	44	41	61	80	99	118	138			72	107		
8"		100	---	---	250	160	100	---	---	---	---	---	1.21	1.55	1.8	2	2	2	2	
			289	185	116	---	---	---	---	---	---	---	225	125	262	290	290	290	290	
		150	---	400	---	---	---	---	---	---	---	---	0.52	0.67	0.79	0.94	1.43	1.58	1.85	2
	462	---	---	---	---	---	---	---	---	---	75	98	114	136	207	229	269	290		
	200	570	---	---	---	---	---	---	---	---	---	0.28	0.37	0.43	0.52	0.8	0.88	1.04	1.13	
	659	---	---	---	---	---	---	---	---	---	---	41	53	63	75	116	128	151	163	
10"	80	150	---	---	400	250	160	---	---	---	---	0.48	0.66	0.75	0.93	1.4	1.57	1.83	2	
			462	289	185	---	---	---	---	---	---	---	70	95	109	134	203	228	266	290
		200	---	630	---	---	---	---	---	---	---	---	0.26	0.36	0.41	0.51	0.78	0.87	1.02	1.12
	728	---	---	---	---	---	---	---	---	---	---	37	52	59	74	112	127	148	162	
	230	800	---	---	---	---	---	---	---	---	---	0.19	0.26	0.3	0.38	0.58	0.66	0.77	0.84	
	925	---	---	---	---	---	---	---	---	---	---	27	38	44	55	84	95	111	122	

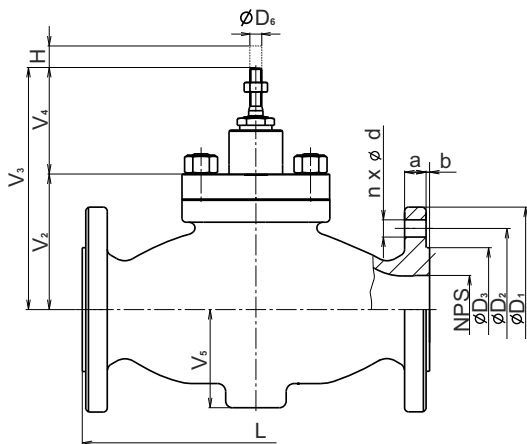
Kvs values and differential pressures Δp_{max} [MPa], [psi] of valves NPS 1/2" - 10" with perforated plugs (flow direction above plug)

For further information on actuating, see actuators' catalogue sheets			Actuating (actuator)					Auma	Auma	Auma	Auma	Auma	Auma	Hand wheel
			Marking in valve spec. No.					EA...	EA...	EA...	EA...	EA...	EA...	Rxx
			Linear force					5 kN	7.5 kN	10 kN	15 kN	20 kN	32 kN	
			Kvs [m ³ /h] Cv [US galon/min]					Δp_{max} [MPa] [psi]	Δp_{max} [MPa] [psi]	Δp_{max} [MPa] [psi]	Δp_{max} [MPa] [psi]	Δp_{max} [MPa] [psi]	Δp_{max} [MPa] [psi]	Δp_{max} [MPa] [psi]
NPS	H[mm]	Ds[mm]	1	2	3	4	5	packing graph.PTFE	packing graph.PTFE	packing graph.PTFE	packing graph.PTFE	packing graph.PTFE	packing graph.PTFE	packing graph.PTFE
1"	16	25	---	6.3 7.28	4 4.62	2.5 ⁵⁾ 2.89	1.6 ⁵⁾ 1.85	2 2 290 290	2 2 290 290	2 2 290 290	---	---	---	2 2 290 290
		32	---	10 11.6	6.3 7.28	4 4.62	2.5 ⁵⁾ 28.9	2 2 290 290	2 2 290 290	2 2 290 290	---	---	---	2 2 290 290
1 1/2"	16	40	---	16 18.5	10 11.6	6.3 7.28	4 4.62	1.54 2 224 290	2 2 290 290	2 2 290 290	---	---	---	2 2 290 290
2"	20	50	---	25 28.9	16 18.5	10 11.6	6.3 7.28	0.50 1.79 72 259	1.95 2 282 290	2 2 290 290	1.95 2 289 290	---	---	2 2 290 290
		65	---	40 46.2	25 28.9	16 18.5	10 11.6	0.50 0.88 72 128	1.15 1.7 167 247	1.8 2 261 290	1.15 1.7 167 247	---	---	1.8 2 261 290
3"	40	80	---	63 72.8	40 46.2	25 28.9	16 18.5	---	0.65 1.1 94 159	1.1 1.55 159 224	2 2 290 290	2 2 290 290	---	2 2 290 290
4"		100	---	100 116	63 72.8	40 46.2	25 28.9	---	0.4 0.69 57 100	0.69 0.98 100 142	1.27 1.56 184 227	1.85 2 296 290	---	1.15 1.68 167 244
5"		125	---	160 185	100 116	63 72.8	40 46.2	---	0.24 0.43 34 62	0.43 0.62 62 89	0.8 0.99 117 144	1.18 1.37 172 199	---	1.69 1.07 245 155
6"		150	---	250 289	160 185	100 116	63 72.8	---	0.15 0.29 22 44	0.29 0.42 41 61	0.15 0.29 80 99	0.82 0.95 118 138	---	0.5 0.74 72 107
8"	80	200	---	400 462	250 289	160 185	100 116	---	---	---	0.28 0.37 41 53	0.43 0.52 63 75	0.8 0.88 116 128	1.04 1.13 151 163
10"		230	---	630 728	400 462	250 289	160 185	---	---	---	0.19 0.26 27 38	0.3 0.38 44 55	0.58 0.66 84 95	0.77 0.84 111 122

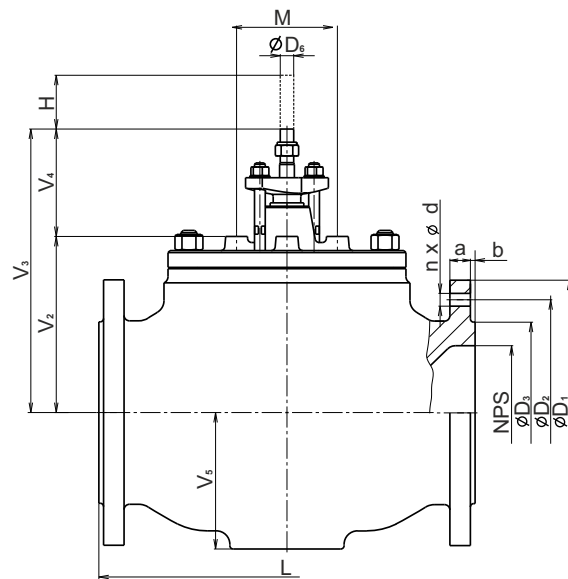
5) only with linear characteristic

Dimensions and weights of valves CV / SV 2x0 SP (Ex)

NPS	H	V ₂	V ₃	V ₄	M	ØD ₆	V ₅	m	L		ØD ₁	ØD ₂	ØD ₃	d	n	a	b	
	[mm] [inch]	[mm] [inch]	[mm] [inch]	[mm] [inch]	[mm] [inch]	[mm] [inch]	[mm] [inch]	kg	RF	LFF SFF LGF SGF	[mm] [inch]	[mm] [inch]	[mm] [inch]	[mm] [inch]	[mm] [inch]	[mm] [inch]	[mm] [inch]	
1/2"	16 0.63	63 2.480	152 5.984	89 3.504	---	M10x1	47	5.5	184	194	90	60.3	34.9	15.9 5/8"	4	9.6 0.38	2 0.06	
3/4"							47	6	184	194	100	69.9	42.9					11.2 0.44
1"		52	7				184	194	110	79.4	50.8	12.7 0.5						
1 1/4"		73	8.5				200	210	115	88.9	63.5	14.3 0.56						
1 1/2"		73	10				222	232	125	98.4	73	15.9 0.62						
2"		73	16				254	264	150	120.7	92.1	17.5 0.69						
2 1/2"	20 0.787	104 4.094	193 7.598	---			M16x1,5	73	21	276	286	180	139.7	104.8	19.1 3/4"	8		20.7 0.81
3"								105	33	298	308	190	152.4	127				22.3 0.88
4"	40 1.575	139	46	352			362	230	190.5	157.2	22.3 0.88							
5"		157	70	403			413	255	215.9	185.7	22.3 0.88							
6"		179	105	451			461	280	241.3	215.9	23.9 0.94							
8"	80 3.15	262	150	203			200	543	553	345	298.5	269.9	25.4 1"	12	27 1.06			
10"		346	506	160	5.905	M20x1,5	253	350	673	683	405	362			323.8	28.6 1.13		



NPS 1/2" - 6"



NPS 8" - 10"



CV 2x2 SP

Control valves,
pressure-balanced,
in seismic version

NPS 1"- 10"
Class 150

Series	CV 222 SP (Ex)	CV 232 SP (Ex)
Type of valve	Two-way, single-seated, control valve with pressure balanced plug	
Nominal size range	NPS 1" to 10"	
Nominal pressure	Class 150	
Body material	Litá ocel A216 WCB, A217 WC6	Litá korozivzdorná ocel A351 CF8M
Seat material: NPS ½"-2"	1.4028	1.4571
NPS 2½"-10"	1.4027	1.4581
Plug material: NPS ½"-2½"	1.4021	1.4571
NPS 3"-10"	1.4027	1.4581
Stem material	1.4923	1.4980
Operating temperature range	-10 to 550 °C (14 to 1020 °F)- (request for negative temperature need to be specified in order)	
Face to face dimensios	acc. to ISA-75.08.01-2002 /R2007)	
Connection flanges	acc. to ASME B16.5-2013	
Flange faces	RF (Raised Face), LFF (Large Female Face), SFF (Small Female Face), LGF (Large Groove Face), SGF (Small Groove Face)	
Type of plug	V-ported, contoured, perforated	
Flow characteristic	Linear, equal-percentage, LDMspline®, parabolic, on - off	
Kvs value (Cv)	1,6 to 800 m ³ /h (1,85 to 950 US gallon/min)	
Leakage rate	Class III. acc. to ANSI/FCI 70-2-2013 (<0,1% Cv) for c. valves with metal-metal seat sealing Class IV. acc. to ANSI/FCI 70-2-2013 (<0.01% Cv) for c. valves with metal-PTFE seat sealing	
Leakage rate for Ex version	Class IV. acc. to ANSI/FCI 70-2-2013 (<0.01% Cv)	
Rangeability r	50 : 1	
Packing	DRSpack® (PTFE) t _{max} = 260°C (500°F), Exp. graphite t _{max} = 550°C (1020°F)	
Seismic resistance	0 to 33 Hz, 30 m.s ⁻²	

Kvs values and differential pressures Δp_{max} [MPa], [psi] of valves with pressure balanced plugs NPS 1" - 10" with electromechanic actuators

Δp_{max} value is the valve max. differential pressure when open - close function is always guaranteed. In regard of service life of seat and plug, it is recommended so that permanent differential pressure would not exceed 1.6 MPa, 232 psi. Otherwise it is suitable to use perforated plug, (Δp up to 2,0 MPa, 290 psi) or sealing surfaces of seat and plug with a hard metal overlay (Δp up to 2,0 MPa, 290 psi).

For further information on actuating, see actuators' catalogue sheets			Actuating (actuator)					Auma	Auma	Auma	Auma	Hand wheel			
			Marking in valve spec. No.					EA...	EA...	EA...	EA...	Rxx			
			Linear force					7.5 kN		10 kN		15 kN		20 kN	
			Kvs [m ³ /h] Cv [US galon/min]					Δp_{max} [MPa] [psi]	Δp_{max} [MPa] [psi]	Δp_{max} [MPa] [psi]	Δp_{max} [MPa] [psi]	Δp_{max} [MPa] [psi]	Δp_{max} [MPa] [psi]		
NPS	H[mm]	DS[mm]	1	2	3	4	5	graph.PTFE	graph.PTFE	graph.PTFE	graph.PTFE	graph.PTFE			
1"		25	10	6.3 ⁵⁾	4 ⁵⁾	2.5 ⁵⁾	1.6 ⁵⁾	2	2	---	---	---	2	2	
			11.6	7.28	4.62	2.89	1.85	290	290	---	---	---	290	290	
1¼"	16	32	16	10	6.3 ⁵⁾	4 ⁵⁾	2.5 ⁵⁾	2	2	---	---	---	2	2	
			18.5	11.6	7.28	4.62	28.9	290	290	---	---	---	290	290	
1½"		40	25	16	10	6.3 ⁵⁾	4	2	2	---	---	---	2	2	
			28.9	18.5	11.6	7.28	4.62	290	290	---	---	---	290	290	
2"	20	50	40	25	16	10	6.3 ⁵⁾	2	2	---	---	---	2	2	
			46.2	28.9	18.5	11.6	7.28	290	290	---	---	---	290	290	
2½"		65	63	40	25	16	10	2	2	---	---	---	2	2	
			72.8	46.2	28.9	18.5	11.6	290	290	---	---	---	290	290	
3"		80	100	63	40	25	16	2	2	2	2	---	2	2	
			116	72.8	46.2	28.9	18.5	290	290	290	290	---	---	290	290
4"	40	100	160	100	63	40	25	2	2	2	2	---	2	2	
			185	116	72.8	46.2	28.9	290	290	290	290	---	---	290	290
5"		125	250	160	100	63	40	2	2	2	2	---	2	2	
			289	185	116	72.8	46.2	290	290	290	290	---	---	290	290
6"		150	360	250	160	100	63	2	2	2	2	---	2	2	
			416	289	185	116	72.8	290	290	290	290	---	---	290	290
8"	80	200	630	400	250	160	100	---	2	2	2	2	2	2	
			728	462	289	185	116	---	290	290	290	290	290	290	290
10"		230	800	630	400	250	160	---	---	---	---	---	2	2	
			925	728	462	289	185	---	---	---	---	290	290	290	290

5) linear characteristic only

Perforated plug available only with Kvs values in shadowed frames with the following restrictions:

- Perforated plug with Kvs value acc. to column No. 2 available with linear or parabolic characteristic only

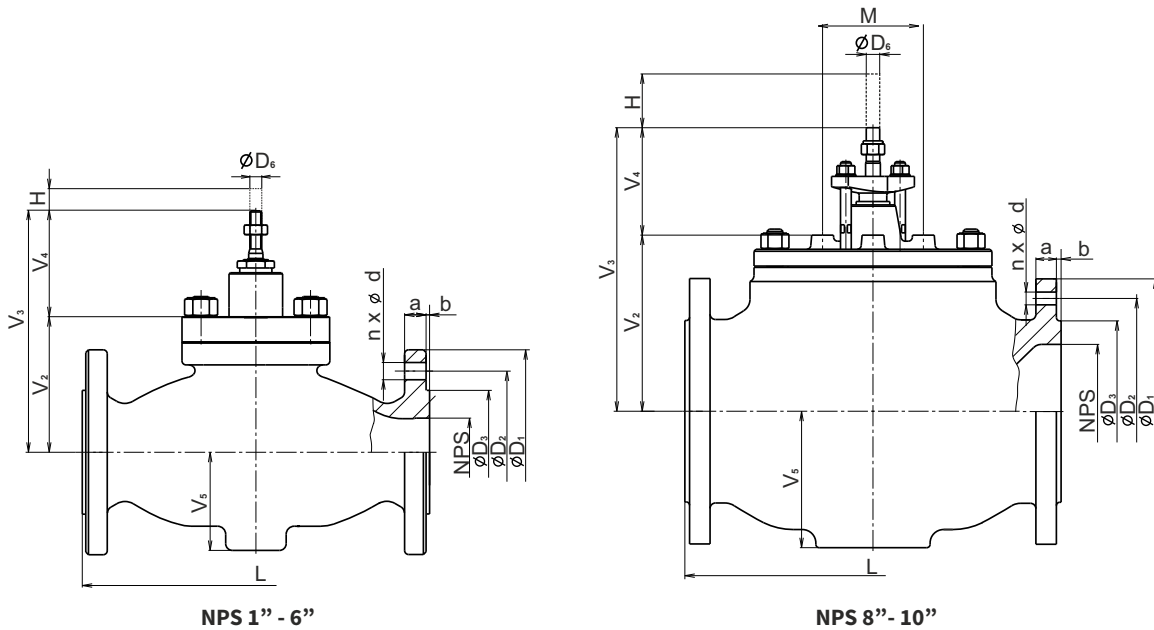
Max. differential pressures specified in table apply to PTFE and graphite packing.

Δp_{max} for bellows must be consulted with the producer.

Dimensions and weights of valves CV / SV 2x2 SP (Ex)

NPS	H	V ₂	V ₃	V ₄	M	ØD ₆	V ₅	m	L	ØD ₁	ØD ₂	ØD ₃	d	n	a	b	
	[mm] [inch]	[mm] [inch]	[mm] [inch]	[mm] [inch]	[mm] [inch]	[mm] [inch]	[mm] [inch]	kg	[mm] [inch]	[mm] [inch]	[mm] [inch]	[mm] [inch]	[mm] [inch]	[mm] [inch]	[mm] [inch]	[mm] [inch]	
1"							52 2.047	7.5	184 7.24	194 7.64	110 4.33	79.4 3.13	50.8 2.0			12.7 0.5	
1¼"	16 0.63	73 2.874	162 6.378				49 1.929	9	200 7.87	210 8.27	115 4.53	88.9 3.5	63.5 2.5	15.9 5/8"		14.3 0.56	
1½"				89 3.504			52 2.047	11	222 8.74	232 9.13	125 4.92	98.4 3.87	73 2.88		4	15.9 0.62	
2"							73 2.874	17	254 10	264 10.39	150 5.91	120.7 4.75	92.1 3.62			17.5 0.69	
2½"	20 0.787	104 4.094	193 7.598		---		73 2.874	22	276 10.87	286 11.26	180 7.09	139.7 5.5	104.8 4.13	19.1 ¾"		20.7 0.81	
3"		139 5.472	245 9.646	106 4.173			105 4.133	35	298 11.73	308 12.13	190 7.48	152.4 6	127 5.0			22.3 0.88	2 0.06
4"		139 5.472	245 9.646	106 4.173			105 4.133	48	352 13.86	362 14.25	230 9.06	190.5 7.5	157.2 6.19			22.3 0.88	
5"	1.575	157 6.181	264 10.393	107 4.213			133 5.236	73	403 15.87	413 16.26	255 10.04	215.9 8.5	185.7 7.31	22.3 7/8"	8	22.3 0.88	
6"		179 7.047	281 11.063	102 4.016			134 5.275	108	451 17.76	461 18.15	280 11.02	241.3 9.5	215.9 8.5			23.9 0.94	
8"	80(63) ¹⁾ 3.15 (2.48)	262 10.314	422 16.614	160 6.299	150	M20x1,5	203 7.992	205	543 21.38	553 21.77	345 13.58	298.5 11.75	269.9 10.62			27 1.06	
10"	80 3.15	346 13.622	506 19.921	160 6.299	5.905	M20x1,5	253 9.961	355	673 26.5	683 26.89	405 15.94	362 14.25	323.8 12.75	25.4 1"	12	28.6 1.13	

¹⁾ DN 200 with graphite pressure balancing - stroke = 63 mm



Valve complete specification No. for ordering CV / SV 2x0 SP (Ex) and CV 2x2 SP (Ex)

		XX	XXX	XXX	XXXX	XX	XXX	/	XXX	-	XXX	XXXX
1. Valve	Control valve	CV										
	Shut-off valve	SV										
2. Series	Valves made of cast steel		2 2									
	Valves made of stainless steel		2 3									
	Direct valve		0									
	Pressure-balanced valve		2									
3. Actuating *)	Electric actuator			E X X								
	Pneumatic actuator			P X X								
	Hand wheel			R X X								
4. Connection	Flange RF (raised face)											1
	Flange LFF (large female face)											3
	Flange SFF (small female face)											4
	Flange LGF (large groove face)											5
	Flange SGF (small groove face)											6
5. Body material	Cast steel A216 WCB (-29 to 425 °C); (-20 to 800 °F) ⁵⁾											1
	CrMo steel A217 WC6 (-29 to 550 °C); (-20 to 1020 °F) ⁵⁾											7
	Stainless steel A351 CF8M (-50 to 550 °C); (-58 to 1020 °F) ⁵⁾											8
	Other material on request											9
6. Seat sealing	Metal - metal											1
	Soft sealing (metal - PTFE) ²⁾											2
	Hard metal overlay on sealing surfaces											3
	Balanced by graphite, metal - metal ³⁾											5
	Balanced by graphite, hard metal overlay ³⁾											7
	Hard metal overlay for CV 2x2, plug with metal seal ⁴⁾											8
7. Packing	DRSpack® (PTFE)											3
	Exp. graphite											5
8. Flow characteristic	Linear											L
	Equal-percentage in straight way											R
	LDMspline*											S
	On-off											U
	Parabolic											P
	Linear - perforated plug											D
	Equal-percentage - perforated plug											Q
	Parabolic - perforated plug											Z
9. Kvs	Column no. acc. to Kvs value table											X
10. Nominal pressure PN	Class 150											150
11. Max. operat. temp.	Acc. to version 260 - 550°C (500 - 1020°F)											XXX
12. Nominal size DN	DN (NPS)											XXX
13. Version	Seismically resistant											SP
	Seismically resistant, non-explosive											SPEX

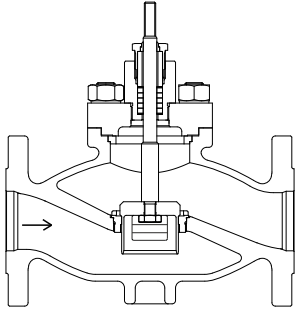
DN	NPS	DN	NPS	Temp.	
				°C	°F
015	½"	065	2½"	260	500
020	¾"	080	3"	300	570
025	1"	100	4"	315	600
032	1¼"	125	5"	400	750
040	1½"	150	6"	425	800
050	2"	200	8"	500	930
		250	10"	550	1020

Ordering example of version with flanges: CV220 EAC 1135 L1 300/400-080SP

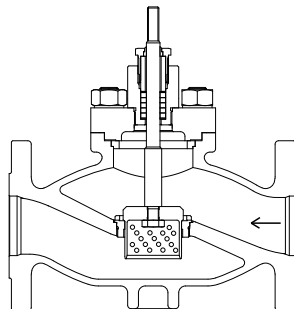
*) For marking of actuators in specification code, refer to table on page 23 of this catalogue

Valves CV / SV 2x0 SP (Ex)

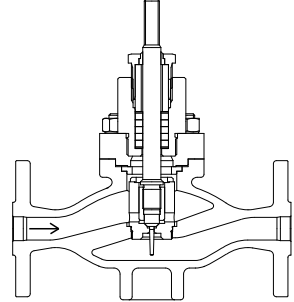
Section of valve
with V-ported plug



Section of valve
with perforated plug

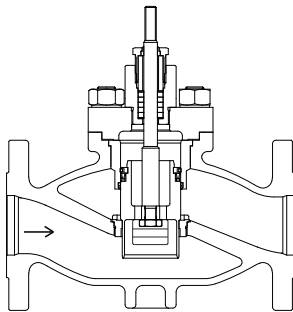


Section of valve
with micro-throttling system

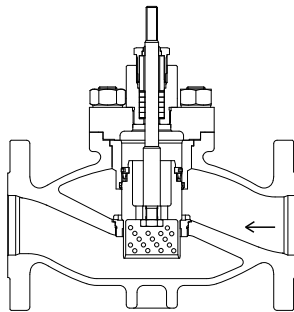


Valves CV 2x2 SP (Ex)

Section of pressure-balanced valve
with V-ported plug



Section of pressure-balanced valve
with perforated plug





Electric actuators

Auma

**SA 07.2, SA Ex 07.2,
SAR 07.2, SAR Ex 07.2,
SA 07.6, SA Ex 07.6,
SAR 07.6, SAR Ex 07.6**

marking in type number:

**EAA, EAB, EAC, EAD
EAE, EAF, EAG, EAH**

Technical data								
Type	SA 07.2	SA Ex 07.2	SAR 07.2	SAR Ex 07.2	SA 07.6	SA Ex 07.6	SAR 07.6	SAR Ex 07.6
Marking in valve spec. No.	EAA	EAB	EAC	EAD	EAE	EAF	EAG	EAH
Voltage	3-phase ~ 380 or 400 V AC (1-phase ~ 230 V AC cannot be used - high weight)							
Frequency	50 Hz							
Power consumption	see specification table							
Control	3 - point or with signal 4 - 20 mA							
Nominal force	10 Nm~5 kN; 15 Nm~7,5 kN; 20 Nm~10 kN				30 Nm~15 kN; 40 Nm~20 kN			
Travel	acc. to used valve 16, 20, 40 mm				acc. to used valve 40, 80 mm			
Enclosure	IP 68							
Process medium max. temp.	acc. to used valve							
Ambient temperature range	-40 to 80°C	-20 to 60°C	-40 to 60°C	-20 to 60°C	-40 to 80°C	-20 to 60°C	-40 to 60°C	-20 to 60°C
Ambient humidity range	100 %							
Weight	20 - 33 kg				21 - 33kg			
Vibration resistance dle EN 60068-2-6	AUMA NORM: 2g, 10-200Hz AUMA MATIC: 1g, 10-200Hz AUMATIC: 1g, 10-200Hz							

→ **Note:** Specifications and technical data are for information only.

Detailed technical informations can be found in producer's data sheet or on the website www.auma.com

Specification of Auma actuators											
							SA	X	XX	07.X	
Type							SA				
Duty	control ON - OFF							R			
Version	standard non-explosive								Ex		
Actuator size										07.2 07.6	
Output shaft type A (thread TR 16x4 LH, connection flange F07) ... for RV 2xx DN 15 to 150											
Output speed [ot/min]	Tripping torque	SA 07.2 SA Ex 07.2	SAR 07.2 SAREx 07.2	Motor power [kW]	SA 07.2 S2-15min	SA Ex 07.2 S2-15min	SAR 07.2 S4-25%	SAR Ex 07.2 S4-25%			
		4			0,02	0,02	0,02	0,02			
		5,6			0,02	0,02	0,02	0,02			
		8			0,04	0,04	0,04	0,04			
		11	10-30 Nm		15-30 Nm	0,04	0,04	0,04	0,04		
		16				0,06	0,06	0,06	0,06		
		22				0,06	0,06	0,06	0,06		
		32				0,10	0,10	0,10	0,10		
		45				0,10	0,10	0,10	0,10		
		Output shaft type A (thread TR 20x4 LH, flange F10) ... for RV 2xx DN 80 to 400									
Output speed [ot/min]	Tripping torque	SA 07.6 SA Ex 07.6	SAR 07.6 SAREx 07.6	Motor power [kW]	SA 07.6 S2-15min	SA Ex 07.6 S2-15min	SAR 07.6 S4-25%	SAR Ex 07.6 S4-25%			
		4			0,03	0,03	0,03	0,03			
		5,6			0,03	0,03	0,03	0,03			
		8			0,06	0,06	0,06	0,06			
		11	20-60 Nm		30-60 Nm	0,06	0,06	0,06	0,06		
		16				0,12	0,12	0,12	0,12		
		22				0,12	0,12	0,12	0,12		
		32				0,20	0,20	0,20	0,20		
		45				0,20	0,20	0,20	0,20		

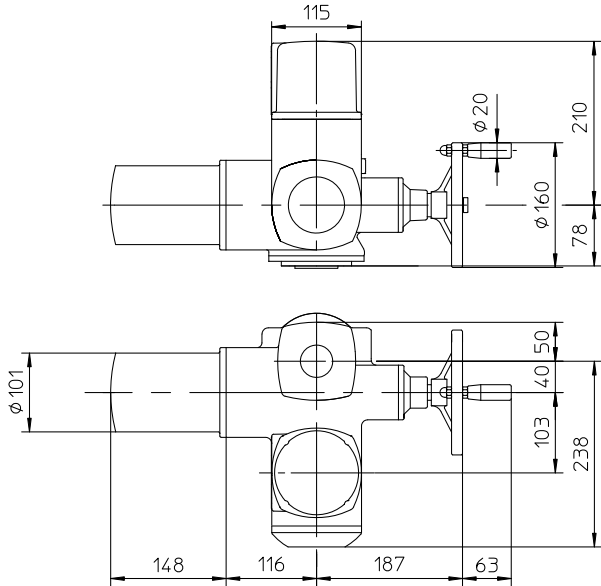
Accessories

- 2 TANDEM switches
- Gearing for signalisation of position
- Mechanical position indicator
- Potentiometer 1x200 Ω
- Electronic position transmitter RWG (potentiometer included), 4 - 20 mA, 2-wire
- Electronic position transmitter RWG (potentiometer included), 4 - 20 mA, 3/4-wire
- Inductive position transmitter IWG, 4 - 20 mA
- MATIC - or continuous control (specification of accessories acc. to catalogue of producer: IP 67; -25 to +70°C; ...), weight + 7 kg
- AUMATIC - or continuous control (specification of accessories acc. to catalogue of producer: IP 68; -25 to +70°C; ...), weight + 7kg

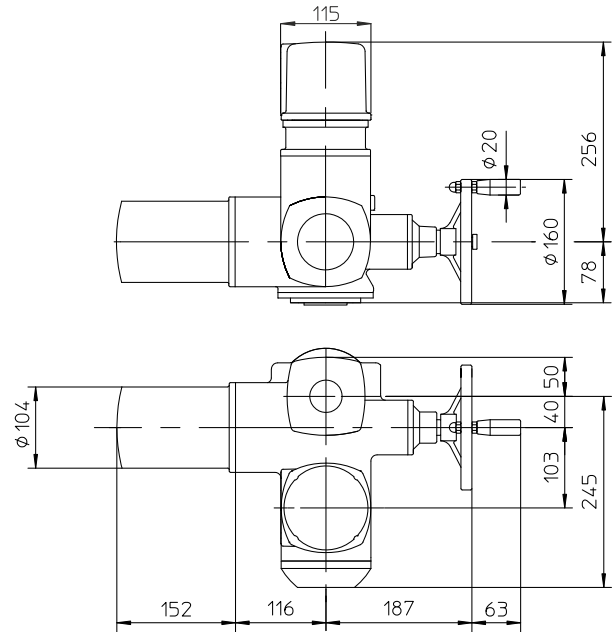
Other accessories acc. to catalogue of producer of actuators.

Dimensions of actuators Auma series 07.2 and 07.6

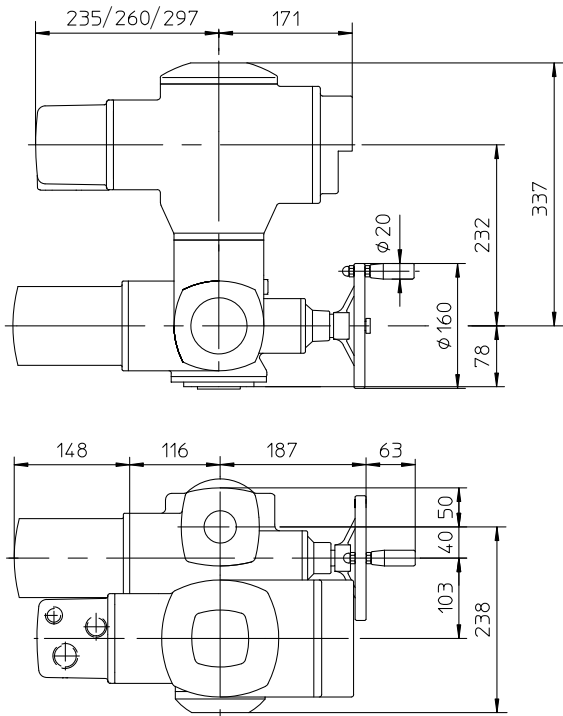
Normal version



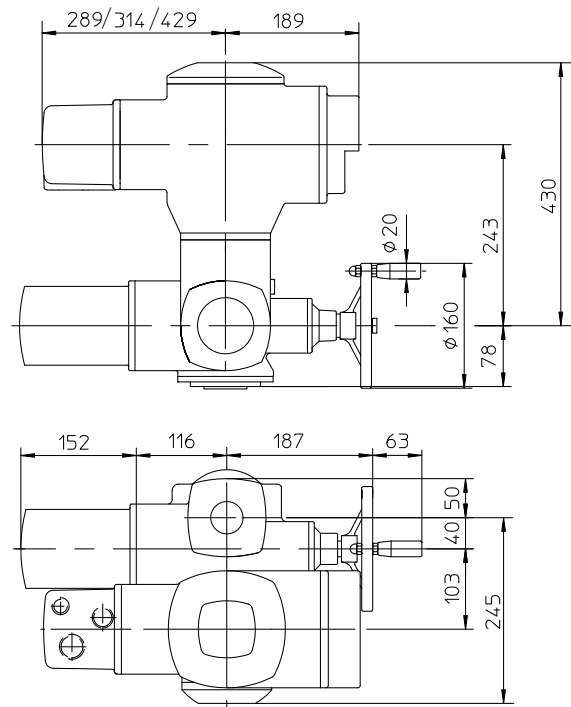
Version Ex norm



Version MATIC

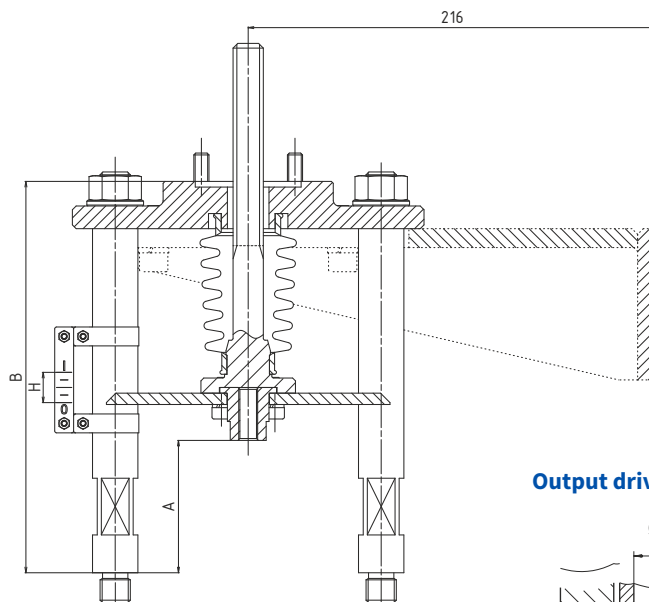
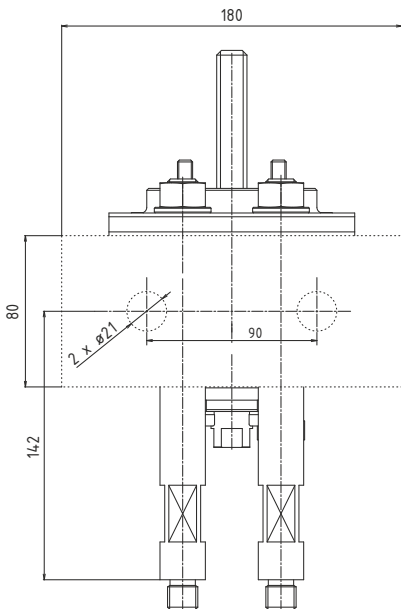
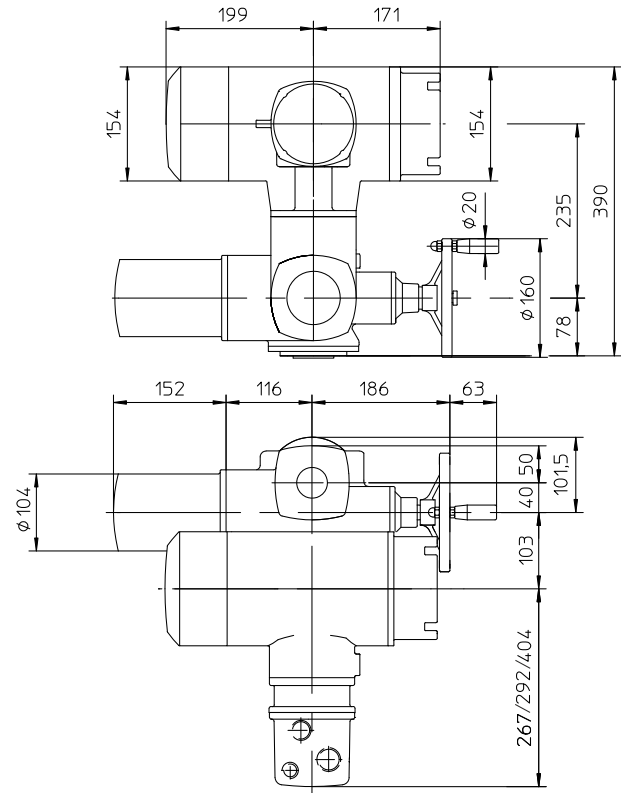
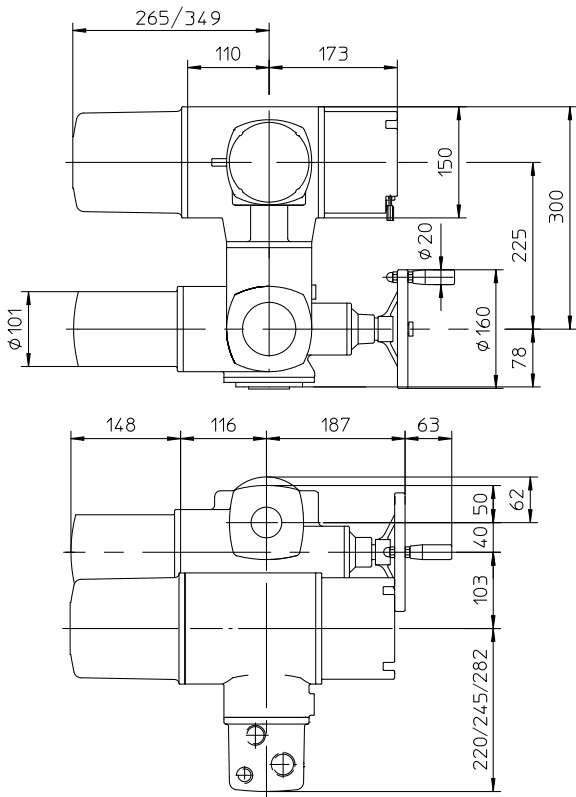


Version Ex MATIC

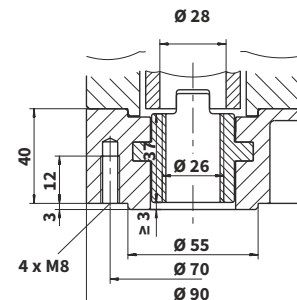


Version with AUMATIC

Version Ex AUMATIC



Output drive shaft A, F07



For valves	Number of columns	A	B	Weight [kg]
CV 2xx NPS ½"- 2½"	4	70	207	6 kg (+ 6 kg console)
CV 2xx NPS 3"- 6"	4	80	245	8 kg
CV 2xx NPS 8"- 10"	4	140	420	15 kg

..... console required for DN15-32, all versions AUMA SAR 07.2 max. 33kg (Norm, Matic, Aumatic, Ex), with exception DN 20-25 AUMA SAR 07.2 Norm max. 24,3kg, DN 32 AUMA SAR 07.2 Norm, Matic, Aumatic max. 31kg (except Ex)



Electric actuators

Auma

SA 10.2, SA Ex 10.2
SAR 10.2, SAR Ex 10.2

marking in type number:

EAI, EAJ, EAK, EAL

Technical data				
Type	SA 10.2	SA Ex 10.2	SAR 10.2	SAR Ex 10.2
Marking in valve spec. No.	EAI	EAL	EAJ	EAK
Voltage	3-phase ~ 380 or 400 V AC (1-phase ~ 230 V AC not applicable - high weight)			
Frequency	50 Hz			
Power consumption	see specification table			
Control	3 - point or with signal 4 - 20 mA			
Nominal force	80 Nm ~ 21,6 kN; 100 Nm ~ 27 kN; 120 Nm ~ 32 kN			
Travel	80, 100 mm			
Enclosure	IP 68			
Process medium max. temp.	acc. to used valve			
Ambient temperature range	-40 to 80 °C	-20 to 60 °C	-40 to 60 °C	-20 to 60 °C
Ambient humidity range	100 %			
Weight	22 to 47 kg			
Vibration resistance acc. to EN 60068-2-6	AUMA NORM: 2g, 10-200Hz; AUMA MATIC: 1g, 10-200Hz; AUMATIC: 1g, 10-200Hz			

→ **Note:** Specifications and technical data are for information only.

Detailed technical informations can be found in producer's data sheet or on the website www.auma.com

Specification of Auma actuators

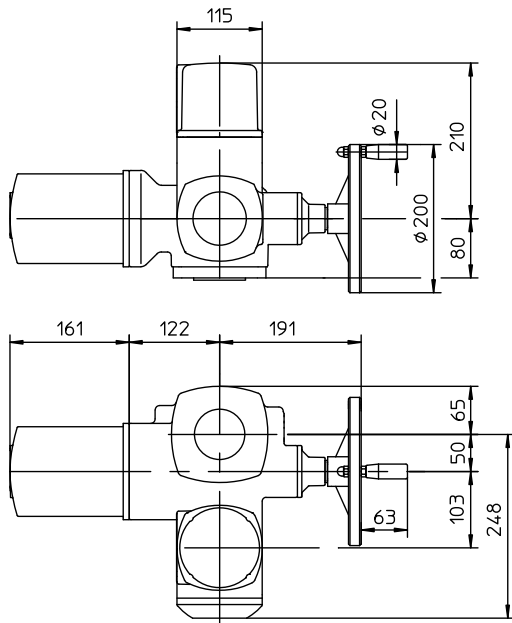
		SA	X	XX	10.2		
Type		SA					
Duty	control ON - OFF		R				
Version	standard non-explosive			Ex			
Actuator size					10.2		
Output drive shaft type A (thread TR 36x6 LH, flange F10) ... for RV 2xx DN 200 - 400							
Output speed [ot/min]	Tripping torque	SA 10.2	SAR 10.2	SA 10.2	SA Ex 10.2	SAR 10.2	SAR Ex 10.2
		SA Ex 10.2	SAR Ex 10.2	S2-15min	S2-15min	S4-25%	S4-25%
4	40-120 Nm 60-120 Nm			0,06	0,09	0,09	0,09
5,6				0,06	0,09	0,09	0,09
8				0,12	0,18	0,18	0,18
11				0,12	0,18	0,18	0,18
16				0,25	0,37	0,37	0,37
22				0,25	0,37	0,37	0,37
32				0,40	0,75	0,75	0,75
45				0,40	0,75	0,75	0,75

Accessories

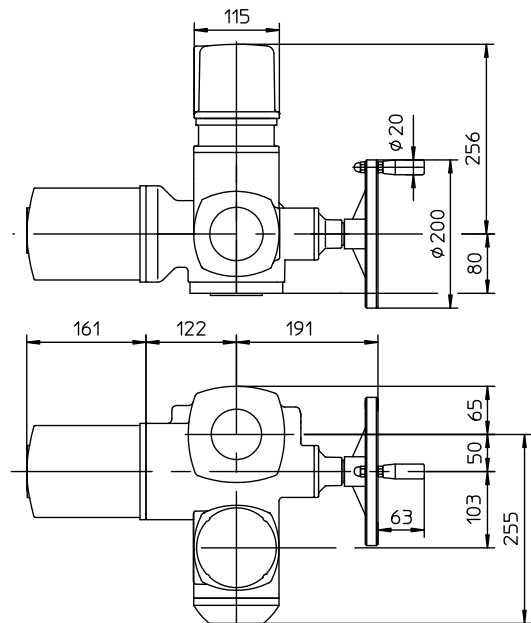
- 2 TANDEM switches
 - Gearing for signalisation of position
 - Mechanical position indicator
 - Potentiometer 1x200 Ω
 - MATIC - or continuous control (specification of accessories acc. to catalogue of producer: IP 67; -25 to +70°C; ...), weight + 7 kg
 - AUMATIC - or continuous control (specification of accessories acc. to catalogue of producer: IP 68; -25 to +70°C; ...), weight + 7kg
- Other accessories acc. to catalogue of producer of actuators.
- Electronic position transmitter RWG (potentiometer included), 4 - 20 mA, 2-wire
 - Electronic position transmitter RWG (potentiometer included), 4 - 20 mA, 3/4-wire
 - Inductive position transmitter IWG, 4 - 20 mA

Dimensions of actuators Auma series 10.2

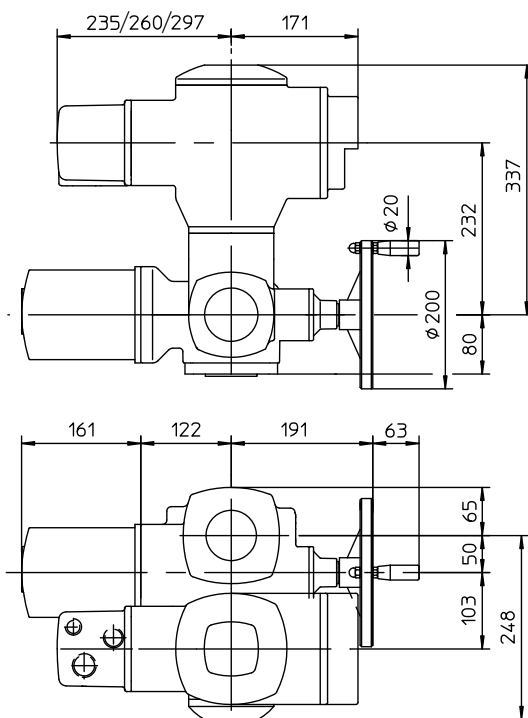
Normal version



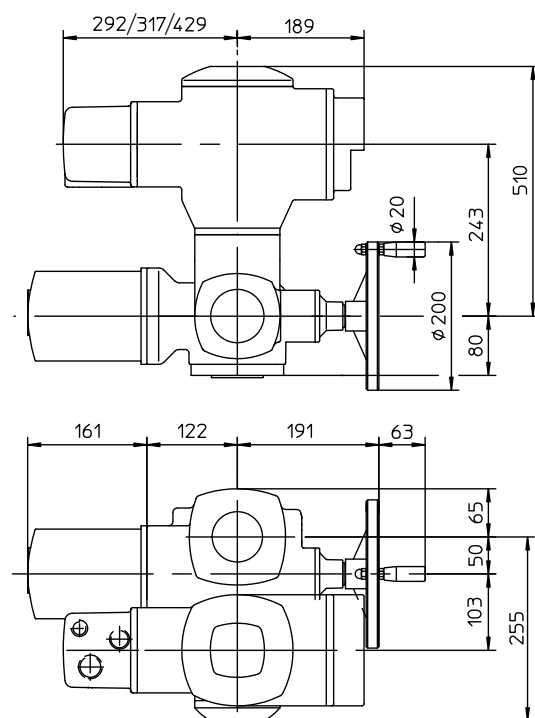
Ex normal version



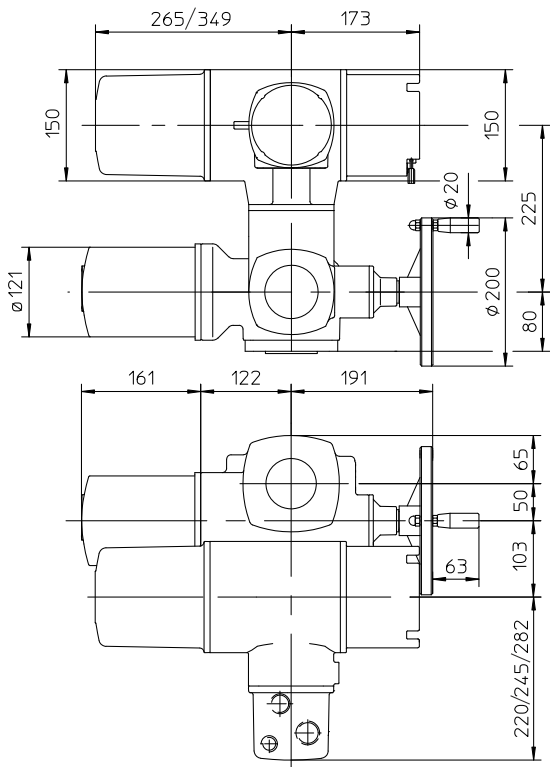
Version with MATIC



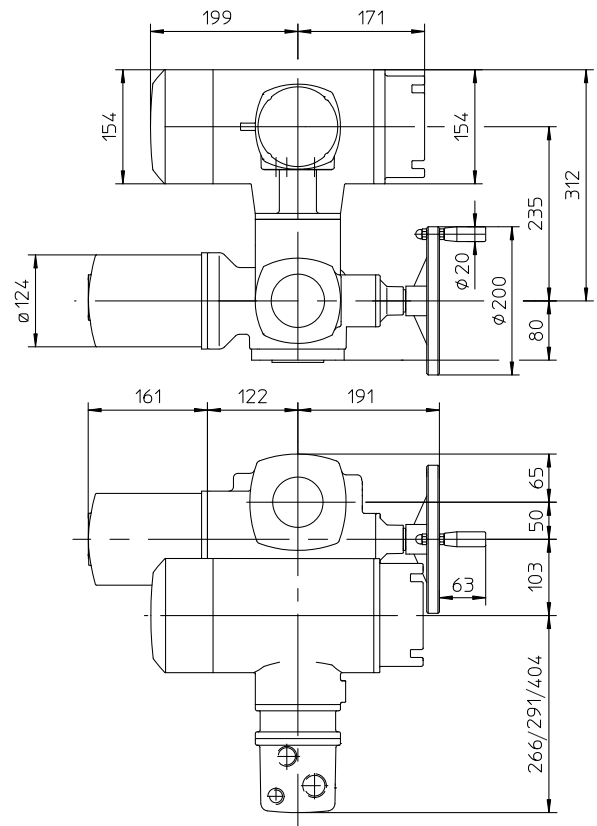
Version with Ex MATIC



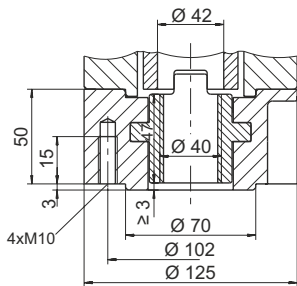
Version AUMATIC



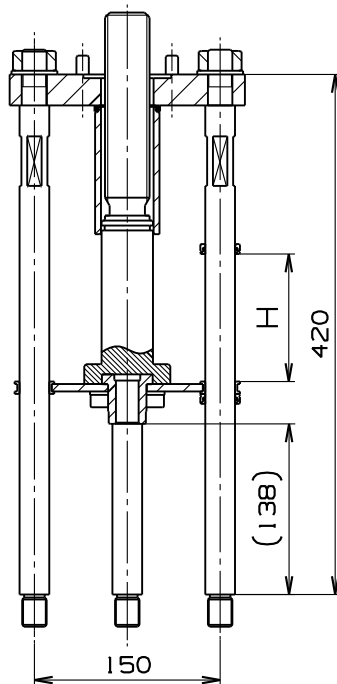
Version Ex AUMATIC



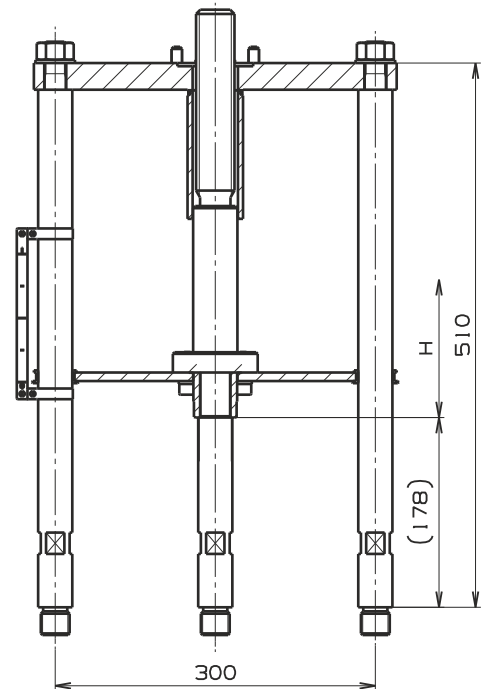
Output drive shaft A, F10



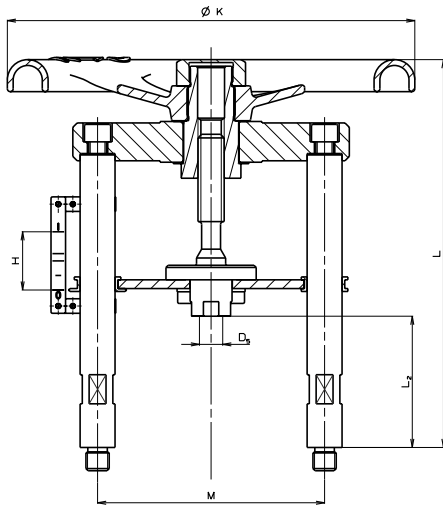
Control DN 200-400
Connection A, F10, Tr36x6-LH



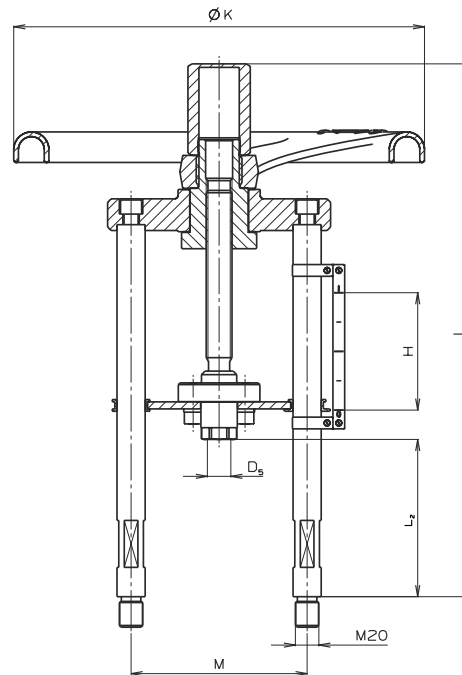
Control DN 600
Connection A, F10, Tr36x6-LH



Hand wheels for CV / SV 2x0 SP a CV 2x2 SP



Hand wheels for valves NPS 1/2" - 6"



Hand wheels for valves NPS 8" - 16"

Dimensions of manual control									
NPS	Mar- king	H [mm] [inch]	L [mm] [inch]	L ₂ [mm] [inch]	øK [mm] [inch]	M [mm] [inch]	øD ₅ [mm] [inch]	m kg	Ordering no. (BOM number)
1/2"	R16	16 0.63	209 8.228	70 2.756	160 6.299	140 5.512	M10x1	7	S900 0256
3/4"									
1"									
1 1/4"									
1 1/2"	R20	20 0.787	235 9.252	195 7.677	156 6.142	M16x1,5	12	S900 0257	
2"									
2 1/2"	R28	40 1.575	267 10.512	90 3.543	280 11.024	156 6.142	M16x1,5	14.5	S900 0258
3"									
4"									
5"									
6"	R35	80 3.15	454 17.874	134 5.276	350 13.78	150 5.906	M20x1,5	15	S900 0259
8"									
10"									

Marking of actuators in type no.

Electric actuator Auma SA 07.2	EAA	NPS ½" - 2½"
Electric actuator Auma SA Ex 07.2	EAB	NPS ½" - 2½"
Electric actuator Auma SAR 07.2	EAC	NPS ½" - 2½"
Electric actuator Auma SAR Ex 07.2	EAD	NPS ½" - 2½"
Electric actuator Auma SA 07.6	EAE	NPS 3" - 6"
Electric actuator Auma SA Ex 07.6	EAF	NPS 3" - 6"
Electric actuator Auma SAR 07.6	EAG	NPS 3" - 6"
Electric actuator Auma SAR Ex 07.6	EAH	NPS 3" - 6"
Electric actuator Auma SA 10.2	EAI	NPS 8" - 10"
Electric actuator Auma SAR 10.2	EAJ	NPS 8" - 10"
Electric actuator Auma SAR Ex 10.2	EAK	NPS 8" - 10"
Electric actuator Auma SA Ex 10.2	EAL	NPS 8" - 10"
Hand wheel for NPS ½" - 1½"	R16	
Hand wheel for NPS 2" - 2½"	R20	
Hand wheel for NPS 3" - 4"	R28	
Hand wheel for NPS 5" - 10"	R35	

Maximal permissible operating pressures acc. to ASME B16.34-2013 [MPa]

Material	Class	Temperature [°C]																
		RT ¹⁾	50	100	150	200	250	300	325	350	375	400	425	450	475	500	538	550
A216 WCB	150	1.96	1.92	1.77	1.58	1.38	1.21	1.02	0.93	0.84	0.74	0.65	0.55	---	---	---	---	---
A217 WC 6²⁾	150	1.98	1.95	1.77	1.58	1.38	1.21	1.02	0.93	0.84	0.74	0.65	0.55	0.46	0.37	0.28	0.14	0.14
A351 CF8M³⁾	150	1.90	1.84	1.62	1.48	1.37	1.21	1.02	0.93	0.84	0.74	0.65	0.55	0.46	0.37	0.28	0.14	0.14

¹⁾ -29°C to 38°C

²⁾ Material only normalized annealed

The intentional addition of any element not listed in ASTM A 217 is not permitted except for Ca and Mg for deoxidation

³⁾ Use at temperatures above 540 °C only when the carbon content is 0.04% or higher

Maximal permissible operating pressures acc. to ASME B16.34-2013 [psig]

Material	Class	Temperature [°F]														
		RT ¹⁾	200	300	400	500	600	650	700	750	800	850	900	950	1000	1050
A216 WCB	150	285	260	230	200	170	140	125	110	95	80	---	---	---	---	---
A217 WC 6²⁾	150	290	260	230	200	170	140	125	110	95	80	65	50	35	20	20
A351 CF8M³⁾	150	275	235	215	195	170	140	125	110	95	80	65	50	35	20	20

¹⁾ -20 °F to 100 °F

²⁾ Material only normalized annealed

The intentional addition of any element not listed in ASTM A 217 is not permitted except for Ca and Mg for deoxidation

³⁾ Use at temperatures above 1000 °F only when the carbon content is 0.04% or higher



LDM, spol. s r.o.
Litomyšlská 1378
560 02 Česká Třebová
Czech Republic

tel.: +420 465 502 511
fax: +420 465 533 101
e-mail: sale@ldm.cz

LDM, spol. s r.o.
Office Praha
Podolská 50
147 01 Praha 4
Czech Republic

tel.: +420 241 087 360
fax: +420 241 087 192
e-mail: sale@ldm.cz

LDM, spol. s r.o.
Office Ústí nad Labem
Ladova 2548/38
400 11 Ústí nad Labem
- Severní Terasa
Czech Republic

tel.: +420 602 708 257
e-mail: tomas.kriz@ldm.cz

LDM servis, spol. s r.o.
Litomyšlská 1378
560 02 Česká Třebová
Česká Republika

tel.: +420 465 502 411-3
fax: +420 465 531 010
e-mail: servis@ldm.cz

LDM Bratislava s.r.o.
Mierová 151
821 05 Bratislava
Slovakia

tel.: +421 2 43415027-8
fax: +421 2 43415029
e-mail: ldm@ldm.sk

LDM, Polska Sp. z o.o.
ul. Bednorza 1
40 384 Katowice
Poland

tel.: +48 32 730 56 33
fax: +48 32 730 52 33
mobile: +48 601 354 999
e-mail: ldmpolska@ldm.cz

LDM Armaturen GmbH
Wupperweg 21
D-51789 Lindlar
Germany

tel.: +49 2266 440333
fax: +49 2266 440372
mobile: +49 177 2960469
e-mail: ldmmaturen@ldmvalves.com

OOO "LDM Promarmatura"
Jubilejnyj prospekt,
dom.6a, of. 601
141400 Khimki Moscow Region
Russia

tel.: +7 4957772238
fax: +7 4956662212
mobile: +7 9032254333
e-mail: inforus@ldmvalves.com

TOO "LDM"
Shakirova 33/1
kab. 103
100012 Karaganda
Kazakhstan

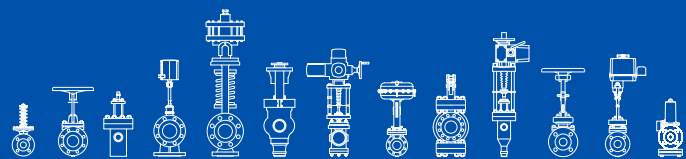
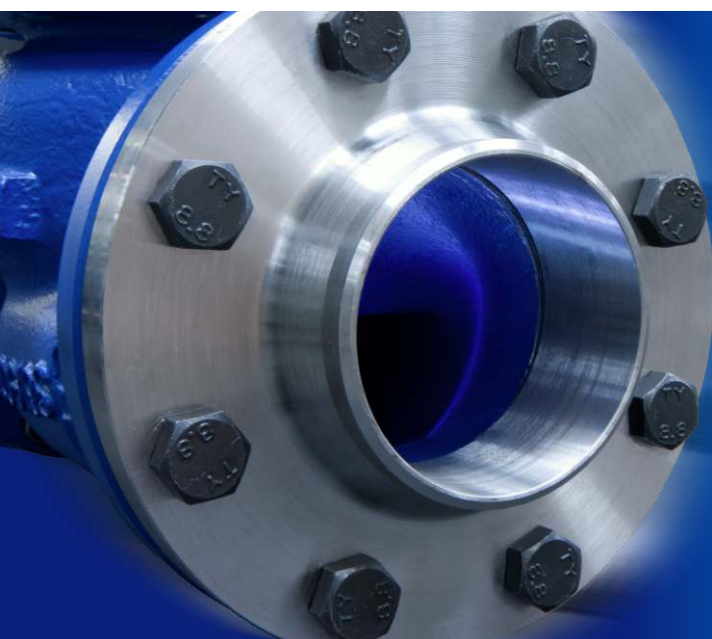
tel.: +7 7212 566 936
fax: +7 7212 566 936
mobile: +7 701 738 36 79
e-mail: sale@ldm.kz

LDM - Bulgaria - OOD
z. k. Mladost 1
bl. 42, floor 12, app. 57
1784 Sofia
Bulgaria

tel.: +359 2 9746311
fax: +359 2 9746311
mobile: +359 888 925 766
e-mail: ldm.bg@ldmvalves.com

www.ldmvalves.com

LDM, reserves the right to modify or improve the designs or specifications of such products at any time without notice



POWER THROUGH IDEAS