



02 - 07.5
04.14.GB

THREE-WAY CONTROL COCK

RK 601





RK 601

Three-way
control cock

Control cock type RK601 is a three-way valve with diverting function designed especially for a heavy power station operation. Construction of the cock type RK601 allows the distribution of flow with a large capacity and a low pressure drop. The throttling organ (segment) with an optimized shape opens or closes the channels and controls the flow to the pipeline branches. Construction of the cock doesn't allow to close the flow of the medium. Packing box of the cock is made from a graphite string.

The cocks are supplied in weld ends execution having faces acc. to ČSN 13 1075 or acc. to the customer's requirements and demands.

Control cock type RK601 is designed for connection with rotary electromechanical actuators of various producers, like Sipos, Auma, Schiebel, ZPA Pečky, etc., with flange F14 acc. to ČSN EN ISO 5210.

Process media

Control cock type RK601 is designed for the distribution of the flow of liquids, vapours and gases without abrasive particles and compatible with materials of the cock body and inner parts. The manufacturer is responsible for the material compatibility acc. to the information about the process medium given by the customer. The most common process medium is steam.

To ensure a reliable operation, the producer recommends to pipe a strainer in front of the cock into pipeline or ensure in any other way that process medium does not contain abrasive particles or impurities.

Recommended differential pressures

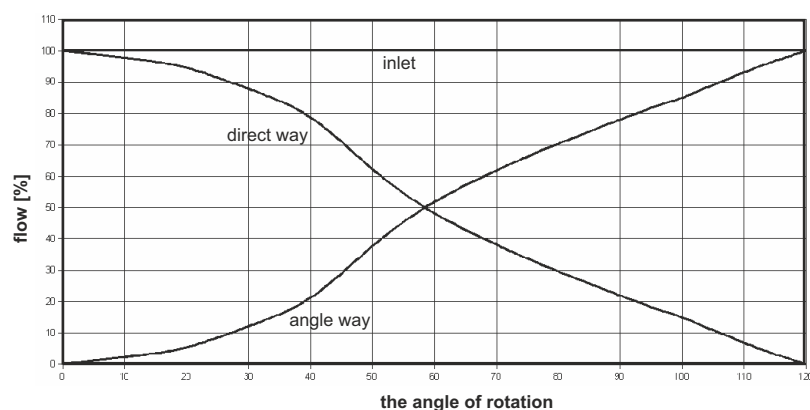
Max. permissible differential pressure is 5 bar. Permanent differential pressure must be less than 1 bar.

Installation

The cock type RK601 must be piped the way so that the process medium flow will coincide with the arrows indicated on the cock body or on the label. If the flow direction isn't indicated with the arrows, the cock must be piped that the inlet pipe will be directed to one of the straight branches of the cock body.

The cock can be installed in any position except the position when the actuator is under the cock.

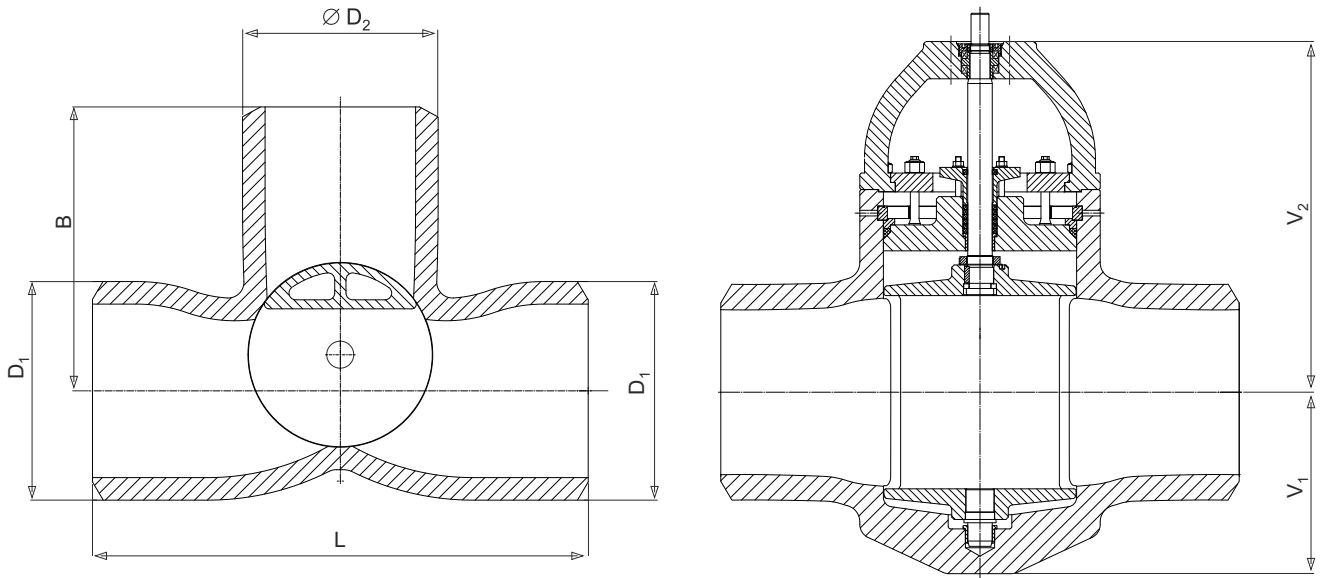
**RK 601
flow
characteristics**



Dimensions, weights and Kvs for the valve type RK 601 with weld ends

DN	L [mm]	B [mm]	D ₁ [mm]	D ₂ [mm]	V ₁ [kg]	V ₂ [mm]	m [kg]	K _{vs}	
								direct way [m ³ /h]	angle way [m ³ /h]
100	310	175	114	114	---	---	---	---	---
150	440	250	168	168	---	---	---	---	---
200	570	320	219	219	---	---	---	---	---
250	750	420	273	273	---	---	---	---	---
300	840	470	324	324	---	---	---	---	---
350	900	505	356	356	320	650	622	5000	3000
400	1030	580	406	406	---	---	---	---	---
450	1100	630	457	406	380	744	1145	15000	9000
500	1300	725	508	508	---	---	---	---	---
600	1550	870	610	610	---	---	---	---	---

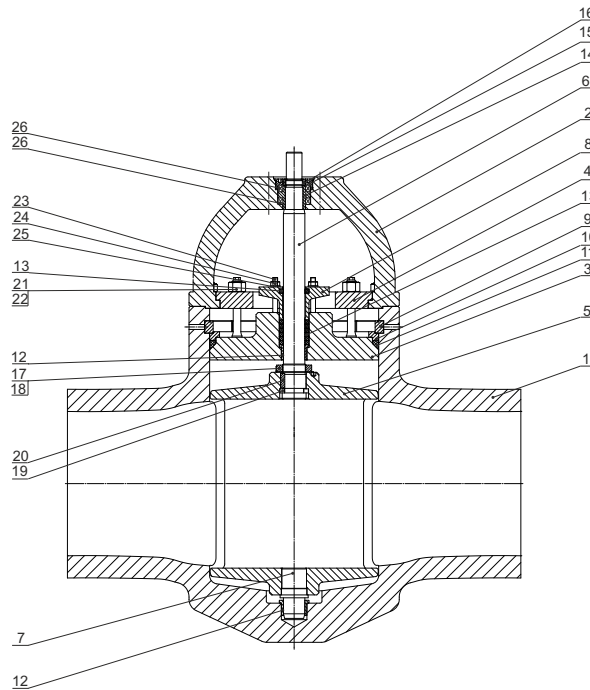
Connecting dimensions of weld ends can be modified on request by the customer.



Maximal permissible pressure values [MPa]

Material	PN	Temperature [°C]											
		100	150	200	250	300	350	400	450	500	550	575	600
Cast steel 1.0619	40	3.41	3.17	2.84	2.60	2.35	2.19	2.11	---	---	---	---	---
	63	5.37	4.99	4.48	4.09	3.71	3.45	3.33	---	---	---	---	---
	100	8.53	7.92	7.11	6.50	5.89	5.48	5.28	---	---	---	---	---
Alloy steel 1.7357	40	4.07	3.96	3.74	3.57	3.33	3.09	2.89	2.67	2.23	0.88	---	---
	63	6.41	6.24	5.88	5.63	5.24	4.86	4.55	4.20	3.51	1.39	---	---
	100	10.17	9.90	9.34	8.93	8.32	7.71	7.22	6.67	5.57	2.21	---	---
Alloy steel 1.7379	40	4.07	3.96	3.85	3.66	3.38	3.18	2.89	2.67	2.23	1.23	0.86	---
	63	6.41	6.24	6.06	5.76	5.33	5.00	4.55	4.20	3.51	1.93	1.35	---
	100	10.17	9.90	9.63	9.14	8.46	7.94	7.22	6.67	5.57	3.07	2.14	---
Stainless steel 1.4931	40	4.07	3.96	3.85	3.66	3.38	3.18	2.89	2.67	2.23	1.97	1.61	1.06
	63	6.41	6.24	6.06	5.76	5.33	5.00	4.55	4.20	3.51	3.10	2.53	1.68
	100	10.17	9.90	9.63	9.14	8.46	7.94	7.22	6.67	5.57	4.92	4.01	2.66

Description

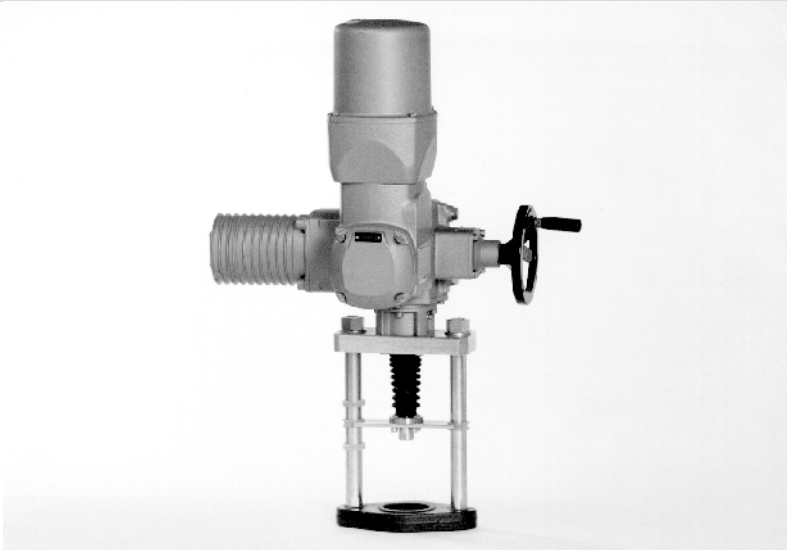


Position	Name	Material	Position	Name	Material
1	Body	1.0619 (1.7357, 1.7379, 1.4931)	14	Bushing	17 027.6
2	Yoke	1.0619 (1.7357, 1.7379, 1.4931)	15	Nut	17 027.6
3	Bonnet	1.0425 (1.7335, 1.7380/1.7383, 1.4903)	16	Nut	17 027.6
4	Plate	1.0425 (1.7335, 1.7380/1.7383, 1.4903)	17	Nut	17 027.6
5	Segment	1.7357	18	Washer	17 021.6
6	Stem	1.4305	19	Ring	17 027.6
7	Pin	1.4305	20	Feather	1.7335
8	Stuffind box	17 027.6	21	Bolt	15 320.5
9	Ring	1.4301	22	Nut	15 236.6
10	Ring	1.4301	23	Bolt	15 320.5
11	Sealing	exp. graphite	24	Nut	15 236.6
12	Bushing	17 023.6	25	Washer	ČSN 02 1702
13	Packing set	exp. graphite	26	Axial bearing	-

Valve complete specification No. for ordering RK 601

		XX	XXX	XXX	XXXX	XXX	/	XXX	-	XXXxXXXxXXX
1. Kohout	Control cock	RK								
2. Series			601							
3. Type of actuating	Electric actuator			E						
	Electric actuator Auma SAR 07.6			EAG						
	Electric actuator Auma SAR Ex 07.6			EAH						
	Electric actuator Schiebel rAB5			EZG						
	Electric actuator Schiebel exrAB5			EZH						
4. Connection	Weld ends				4					
5. Body material	Cast steel 1.0619 (-20 to 400 °C)				1					
	Stainless steel 1.4931 (-20 to 600 °C)				5					
	Alloy steel 1.7357 (-20 to 550 °C)				7					
	Other material on request				9					
6. Packing	Grafit				5					
7. Pressure reduction	One-step pressure reduction				1					
8. Nominal pressure	PN					040				
	PN					063				
	PN					100				
9. Operation temp. °C	Acc. to process medium							XXX		
10. Nominal size	DN									XXXxXXXxXXX

Ordering example: RK601 EAG 4151 040/400-450x450x400



Elektrické pohony **Auma**

SAR 07.6, SAR Ex 07.6

EAG, EAH

Technical data		
Typ	SAR 07.6	SAR Ex 07.6
Marking in valve specification No.	EAG	EAH
Voltage	380 or 400 V	
Frequency	50 Hz	
Motor power	see specification table	
Control	3 - position control or with signal 4 - 20 mA	
Enclosure	IP 68	
Process medium max. temperat.	according to used valve	
Ambient temperature range	-25 to 60°C	-20 to 40°C
Ambient humidity limit	100 %	
Weight	20 to 25 kg	

→ Detailed technical informations can be found in producer's data sheet or on the webside www.auma.com

Specification of Auma actuators				SA	X	XX	XX.X
Type				SA			
Function	control				R		
Execution	standard						
	nonexplosive					Ex	
Actuator's size	07.6						07.6
Output shaft type B (acc. to DIN 6885; flange F07 / F10)							
Výstupní otáčky	Vypínací moment	SAR 07.6 SAREx 07.6		SAR 07.6		SAR Ex 07.6	
		30 - 60 Nm	Výkon motoru [kW]	0,045		0,045	
				0,045		0,045	
				0,09		0,09	
				0,09		0,09	
				0,18		0,18	
				0,18		0,18	
				0,37		0,37	
0,37				0,37			

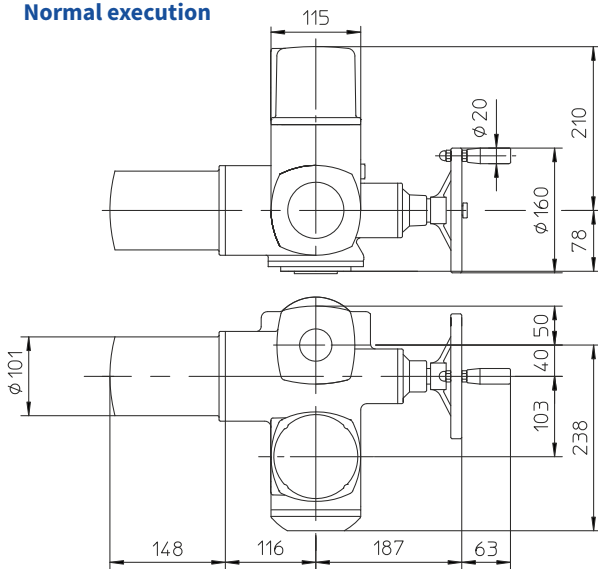
Note: Actuators are assembled in combination with the gearbox, for example Auma GS80.3

Accessories

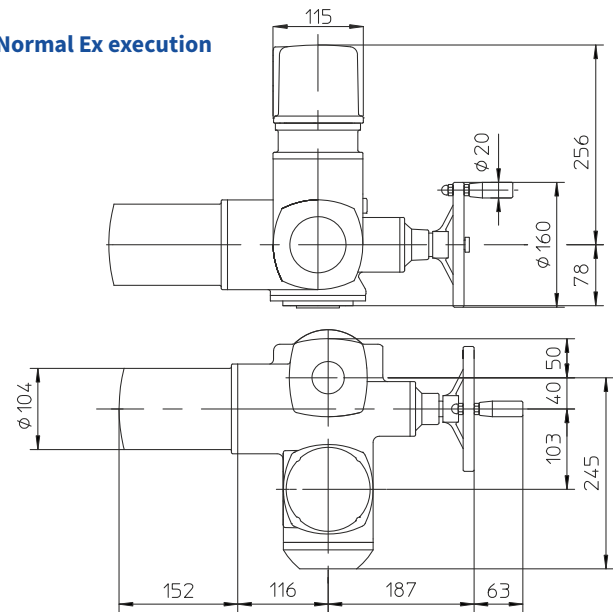
- 2 TANDEM switches
 - Gearing for signalisation of position
 - Mechanical position indicator
 - Potentiometer 1x200 W
 - Electronic position transmitter RWG (potentiometer included), 4 - 20 mA, 2-wire
 - Electronic position transmitter RWG (potentiometer included), 4 - 20 mA, 3/4-wire
 - Inductive position transmitter IWG, 4 - 20 mA
 - MATIC - for continuous control (specification of accessories acc. to catalogue of producer)
 - AUMATIC - for continuous control (specification of accessories acc. to catalogue of producer)
- Other accessories acc. to catalogue of producer of actuators.

Dimension of Auma actuators 07.6

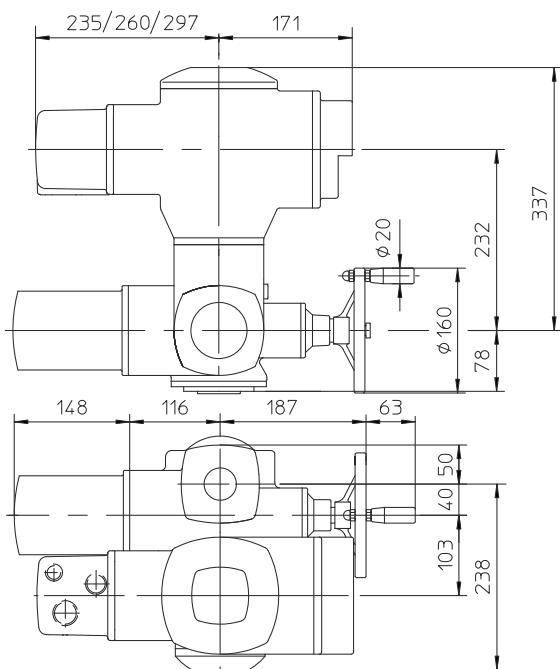
Normal execution



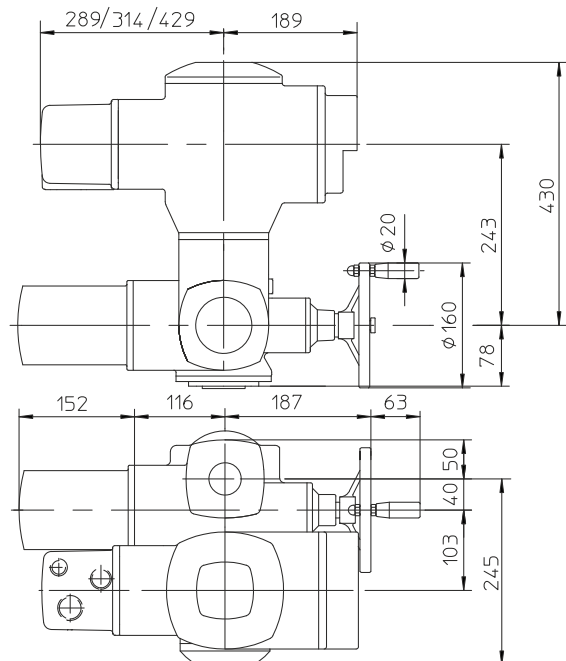
Normal Ex execution

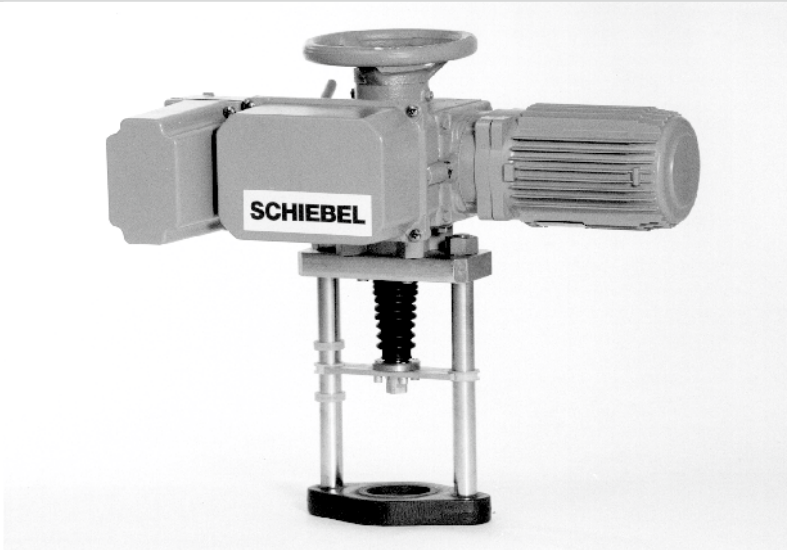


Execution MATIC



Execution Ex MATIC





Elektrické pohony Schiebel

AB5

EZG, EZH

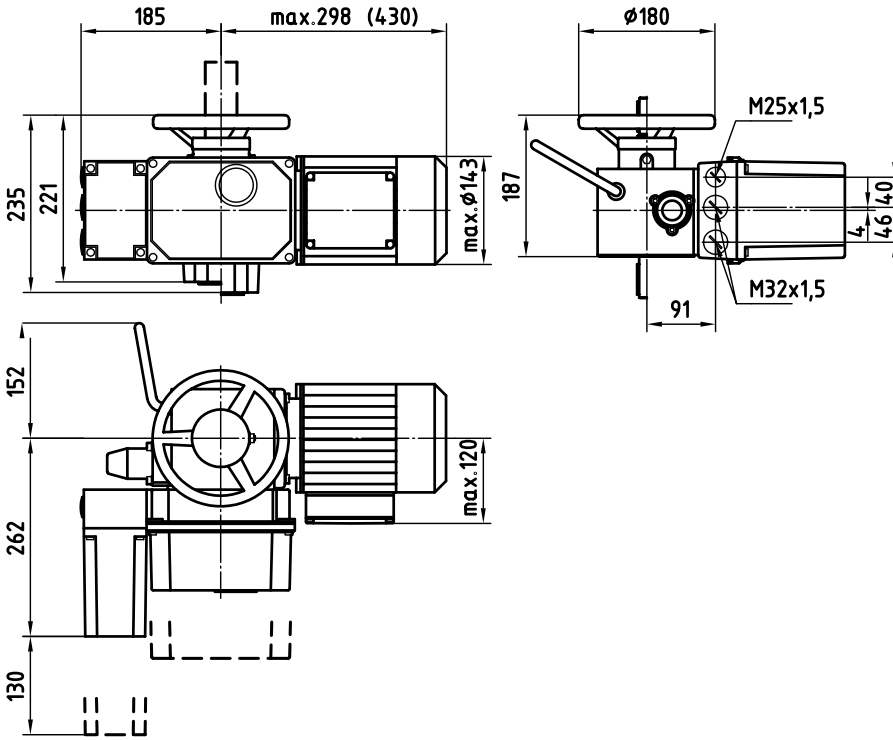
Technické parametry		
Type	rAB5	exrAB5
Marking in the valve's specification No.	EZG	EZH
Voltage	400 / 230 V; 230 V	400 / 230 V
Frequency	50 Hz	
Motor power	see specification table	
Control	3 - position control or with signal 4 - 20 mA	
Enclosure	IP 66	IP 65
Process medium max. temperature	acc. to used valve	
Ambient temperature range	-25 až 80 °C	-20 až 40 °C
Ambient humidity limit	90 % (tropical version 100 % with condensation)	
Weight	16 - 18 kg	16 kg

→ Detailed technical informations can be found in producer's data sheet or on the website www.schiebel.cz

Specifikace pohonů													
						xx	x	XXX	X	XX	+	XXXXX	
Execution		standard											
		non-explosive				ex							
Duty		regulační				r							
		ON - OFF											
Actuator's size								AB5					
Output shaft type B (acc.to DIN 6885; flange F07 / F10)												A	
Output speed	Tripping torque	AB5	rAB5	Motor power [kW]	AB5		rAB5		exAB5	exrAB5			
		exAB5	exrAB5		400/230V	230V	400/230V	230V	400/230V	400/230V			
					0,09	0,09	0,09	0,09	0,09	0,09			2,5
			vypínací		0,06	0,12	0,06	0,12	0,12	0,12			5
			7 - 60		0,09	0,09	0,09	0,18	0,09	0,09			7,5
			Nm		0,09	0,18	0,09	0,37	0,09	0,09			10
			zatěžovací		0,18	0,18	0,18	0,37	0,18	0,18			15
			7 - 30		0,18	0,55	0,18	0,75	0,18	0,18			20
	Nm	0,37	0,55	0,37	1,10	0,37	0,37	30					
		0,37	0,55	0,37	1,10	0,37	0,37	40					
Příslušenství				Potentiometer 1 x 1000 Ω								F	
				Double potentiometer 2 x 1000 Ω								FF	
				Electronic transmitter 4 - 20 mA, two-wire								ESM21	
				Positioner ACTUMATIC R								CMR	
				SMARTCON control unit								CSC	

Note: Actuators are assembled in combination with the gearbox, for example Auma GS80.3

Dimensions of actuators ...AB5



The gearbox type Auma GS 80.3

Dimensions of GS 80.3

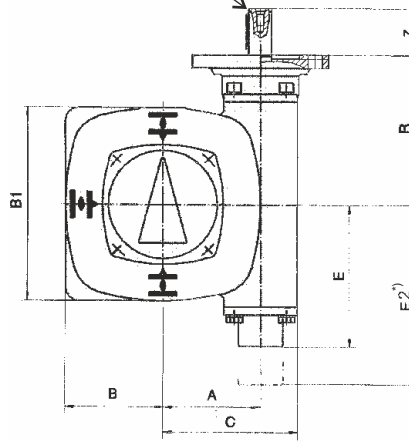
EN ISO 5211	F14
Transmission ratio	53:1
A	80
B	88
B1	175
C	111
E	133
E2 *	155
F	170
H	107
I	4
J	57
K	16
R	130
L max.	90
z	40

* Adjustable angle of rotation, max. 190°

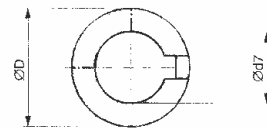
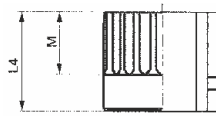
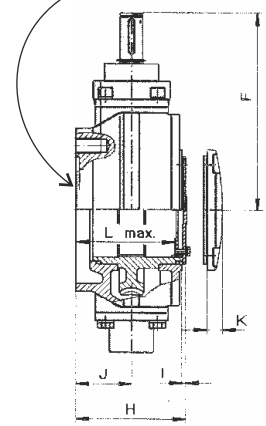
Detail of coupling

Type	GS 80.3
EN ISO 5211	F14
ØD	81.6
Ød7 max.	60
L4	65
M	47

Connection to an actuator
F07 / F10



Connection to an cock F14





LDM, spol. s r.o.
Litomyšlská 1378
560 02 Česká Třebová
Czech Republic

tel.: +420 465 502 511
fax: +420 465 533 101
e-mail: sale@ldm.cz

LDM, spol. s r.o.
Office Prague
Podolská 50
147 01 Praha 4
Czech Republic

tel.: +420 241 087 360
fax: +420 241 087 192
e-mail: sale@ldm.cz

LDM, spol. s r.o.
Office Ústí nad Labem
Ladova 2548/38
400 11 Ústí nad Labem
- Severní Terasa
Czech Republic

tel.: +420 602 708 257
e-mail: tomas.kriz@ldm.cz

LDM servis, spol. s r.o.
Litomyšlská 1378
560 02 Česká Třebová
Czech Republic

tel.: +420 465 502 411-3
fax: +420 465 531 010
e-mail: servis@ldm.cz

LDM Bratislava s.r.o.
Mierová 151
821 05 Bratislava
Slovakia

tel.: +421 2 43415027-8
fax: +421 2 43415029
e-mail: ldm@ldm.sk

LDM, Polska Sp. z o.o.
ul. Bednorza 1
40 384 Katowice
Poland

tel.: +48 32 730 56 33
fax: +48 32 730 52 33
mobile: +48 601 354 999
e-mail: ldmpolska@ldm.cz

LDM Armaturen GmbH
Wupperweg 21
D-51789 Lindlar
Germany

tel.: +49 2266 440333
fax: +49 2266 440372
mobile: +49 177 2960469
e-mail: ldmmarmaturen@ldmvalves.com

OOO "LDM Promarmatura"
Jubilejnyj prospekt,
dom.6a, of. 601
141400 Khimki Moscow Region
Russia

tel.: +7 4957772238
fax: +7 4956662212
mobile: +7 9032254333
e-mail: inforus@ldmvalves.com

TOO "LDM"
Shakirova 33/1
kab. 103
100012 Karaganda
Kazakhstan

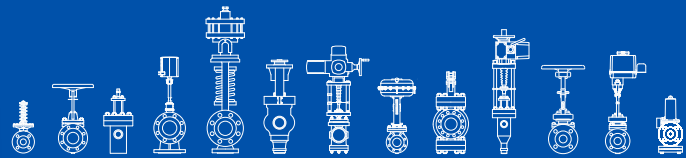
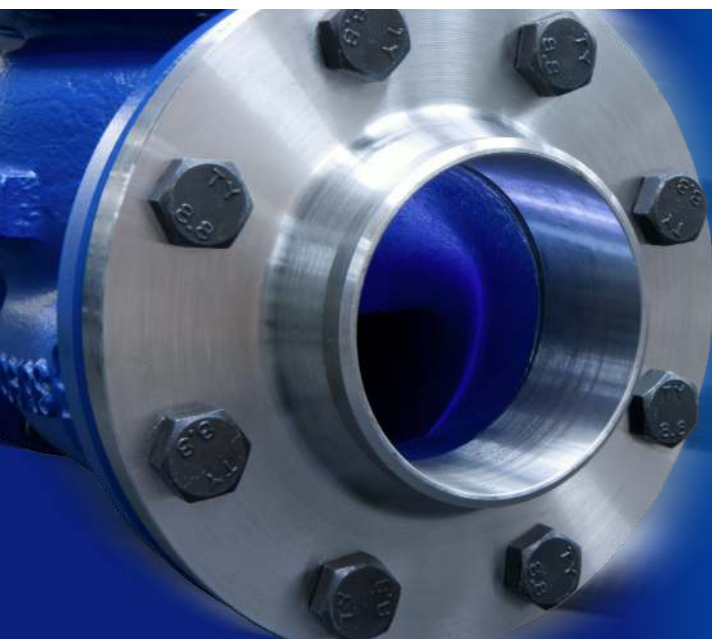
tel.: +7 7212 566 936
fax: +7 7212 566 936
mobile: +7 701 738 36 79
e-mail: sale@ldm.kz

LDM - Bulgaria - OOD
z. k. Mladost 1
bl. 42, floor 12, app. 57
1784 Sofia
Bulgaria

tel.: +359 2 9746311
fax: +359 2 9746311
mobile: +359 888 925 766
e-mail: ldm.bg@ldmvalves.com

www.ldmvalves.com

LDM reserves the right to modify or improve the designs or specifications of such products at any time without notice.



POWER THROUGH IDEAS